

MATERIALS:

Contacts: Brass.
 Insulator: PBT, 30%GF UL 94V-O Rated .
 Shell: SPCC.

ELECTRICAL CHARACTERISTICS

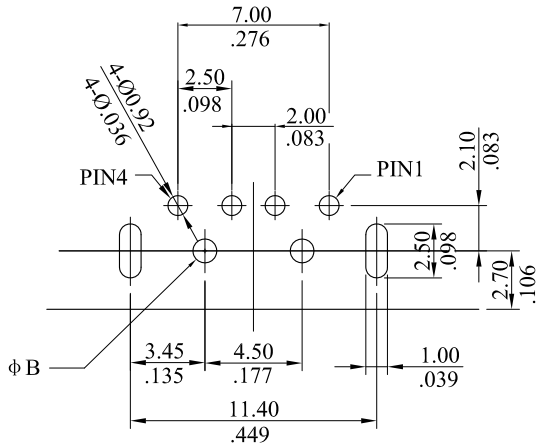
Contact Current Rating: 1 Amperes.
 Dielectric Withstanding Voltage: AC 500 V r.m.s.
 Insulation Resistance: 500 Megohms Minimum at DC 500V.
 Contact Resistance: 30 Milliohms Maximum.
 Operating Temperature: -55°C~+85°C

Ordering Information

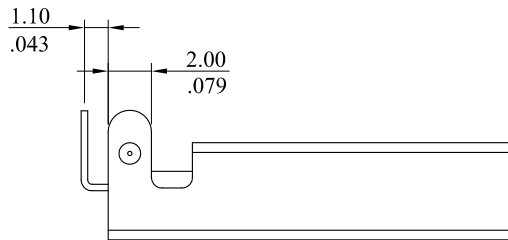
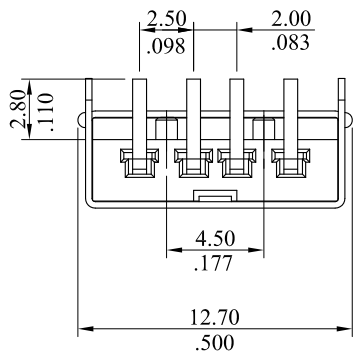
2076 P 0 * 0 T **
 1 2 3 4 5 6 7 8

1. Series No.
2. P = Plug
3. 0 = Single
4. Contact Plating:
 F = Selective gold flash over
 30μ"min. nickel plated overall
 K = 30μ"min.selective gold plated over
 30μ"min. nickel overall
5. Type: 0=A type B=B type
6. M:SMT T:Through Hole
7. Color:1=Black 2=White 0=Ivory
8. Option:

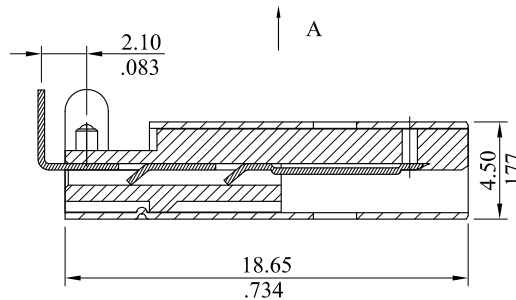
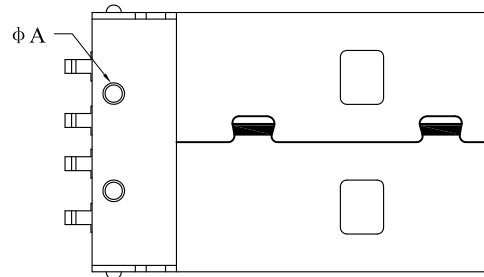
RoHS COMPLIANT



PCB layout recommend



A view



料号	尺寸	止片高度	φ A	φ B
A	6.0		φ 1.400	φ 1.500
L	6.0		φ 1.000	φ 1.100

LEOCO CORPORATION				APPROVED:		PART NO.:																		
				DATE:		2076PO*OT**																		
GENERAL TOLERANCES: (UNLESS SPECIFIED)				CHECKED:		TITLE: USB A TYPE																		
				DATE:		MALE RIGHT ANGLE TYPE																		
<table border="1"> <thead> <tr> <th></th> <th>mm</th> <th>inch</th> </tr> </thead> <tbody> <tr> <td>1 PLACE</td> <td>± 0.30</td> <td>± ---</td> </tr> <tr> <td>2 PLACES</td> <td>± 0.20</td> <td>± .012</td> </tr> <tr> <td>3 PLACES</td> <td>± 0.10</td> <td>± .008</td> </tr> <tr> <td>4 PLACES</td> <td>± ---</td> <td>± .004</td> </tr> </tbody> </table>					mm	inch	1 PLACE	± 0.30	± ---	2 PLACES	± 0.20	± .012	3 PLACES	± 0.10	± .008	4 PLACES	± ---	± .004	DRAWN:		DRAWING NO.:			
					mm	inch																		
1 PLACE	± 0.30	± ---																						
2 PLACES	± 0.20	± .012																						
3 PLACES	± 0.10	± .008																						
4 PLACES	± ---	± .004																						
B		ES101222		DATE:		207621S																		
A		DWG REL				UNITS	SCALE	SIZE	SHEET	REV.														
REV.	ECO. NO.	CHG.	APP.			mm inch	3:1	A4	1/1	B														
				ANGULAR ± (1°)																				