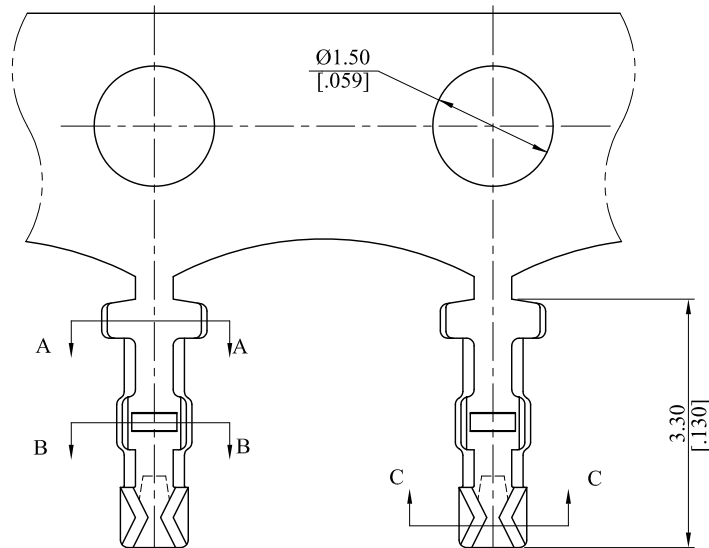
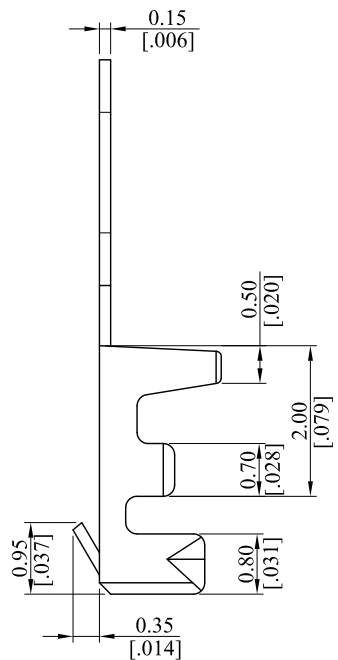


RoHS COMPLIANT

CUSTOMER DRAWING

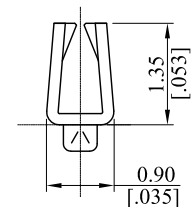
REV.	ECO. NO.	DESCRIPTION	DATE
F	ES101209	Upgrade drawing frame	2010.12.09
G	ES170926	Update the drawing	2017.08.18



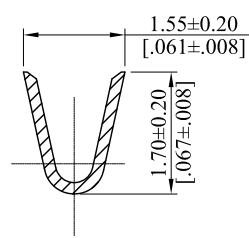
Note:
Material: Phosphor Bronze
Wire Range: AWG 28-32

General Part Number:
1254TPB 00 00
1

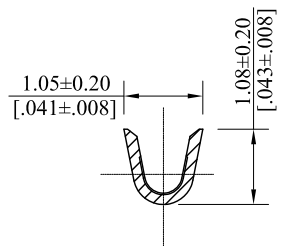
1. Plating:
00= Tin plated 120µ"min. over 30µ"min. Nickel underplating overall



C-C SEC.



B-B SEC.



A-A SEC.

TOLERANCE UNLESS OTHERWISE SPECIFIED			LEOCO CORPORATION http://www.leoco.com.tw	
mm [inch]	mm	inch	APPROVED BY: Chard	DATE: 2017.08.18
1 PLACE	± 0.30	± --	CHECKED BY: Angel	DATE: 2017.08.18
2 PLACES	± 0.20	± .012	DRAWN BY: Brian	DATE: 2017.08.18
3 PLACES	± 0.10	± .008	PART NO.: 1254TPB0000	
4 PLACES	± --	± .004	SIZE: A3	SCALE: 1:1
ANGULAR ±1°				DRAWING NO.: 125402S
			REV.: G	SHEET: 1 OF 1
			TITLE: Crimp Terminal	