

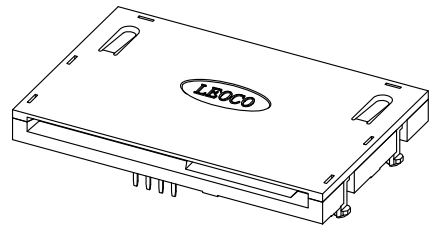
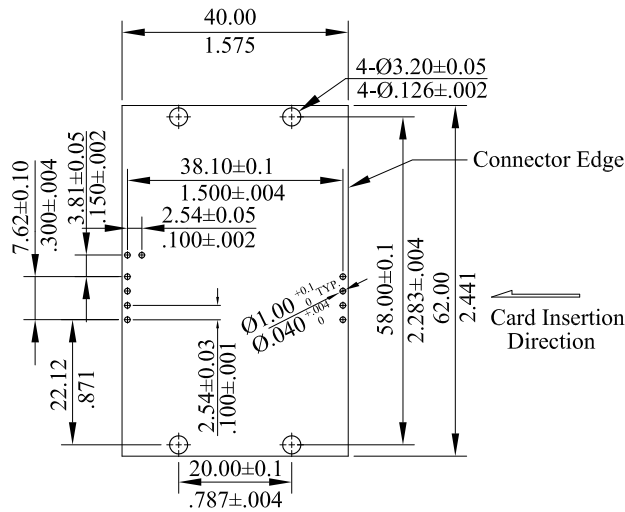
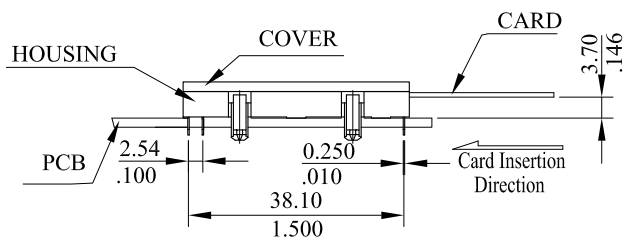
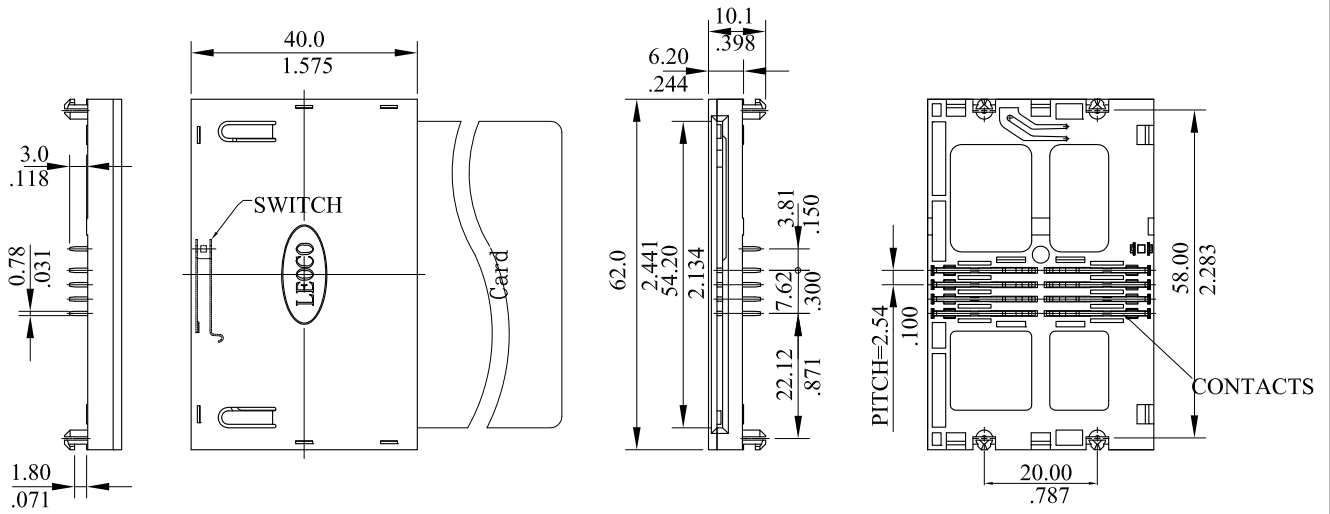
Notes:

1. Material:

- a. Housing: PBT UL94V-0, BLACK
- b. Contact & Switch: Phosphor Bronze.

2. Smart Card thickness: 0.76±0.08mm

RoHS COMPLIANT



Ordering information:
2537 S A O F 0 1 A
 1 2 3 4 5 6 7 8

1. Series No.
2. S= Single Deck Type
3. A= ISO Type
4. 0= T/H Type
5. Contact Plating:
F= Selective Gold Flash over 50u" min. Nickel.
6. 0= Zero Stand Off
7. Switch Contact Type:
I= Normal Open
8. A= Standard Type(Full Cover)

RECOMMENDED HOLE PATTERN

LEOCO CORPORATION				APPROVED:		PART NO.:				
				DATE:		2537SAOF01A				
				CHECKED:		TITLE:				
				DATE:		Smart Card Connector				
				DRAWN:		DRAWING NO.:				
				DATE:		253710S				
A	DWG REL					UNITS	SCALE	SIZE	SHEET	REV.
REV.	ECO. NO.	CHG.	APP.			mm inch	1:2	A4	1/1	A
ANGULAR ± (1°)										