

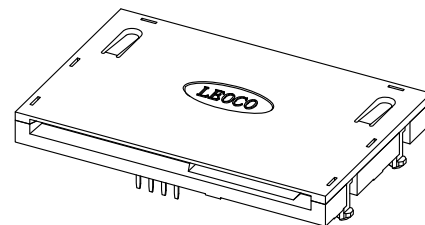
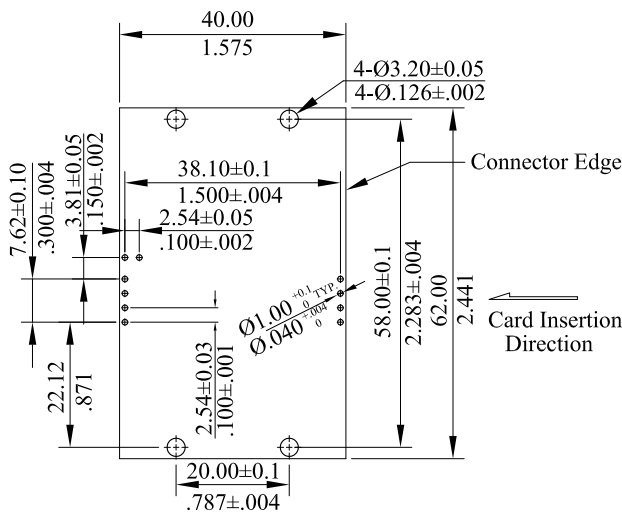
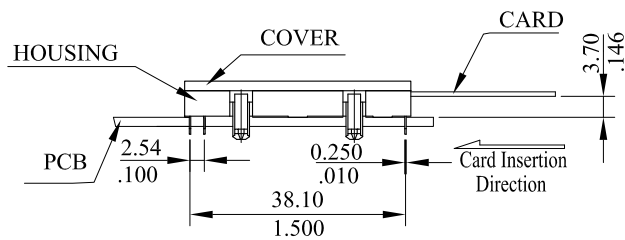
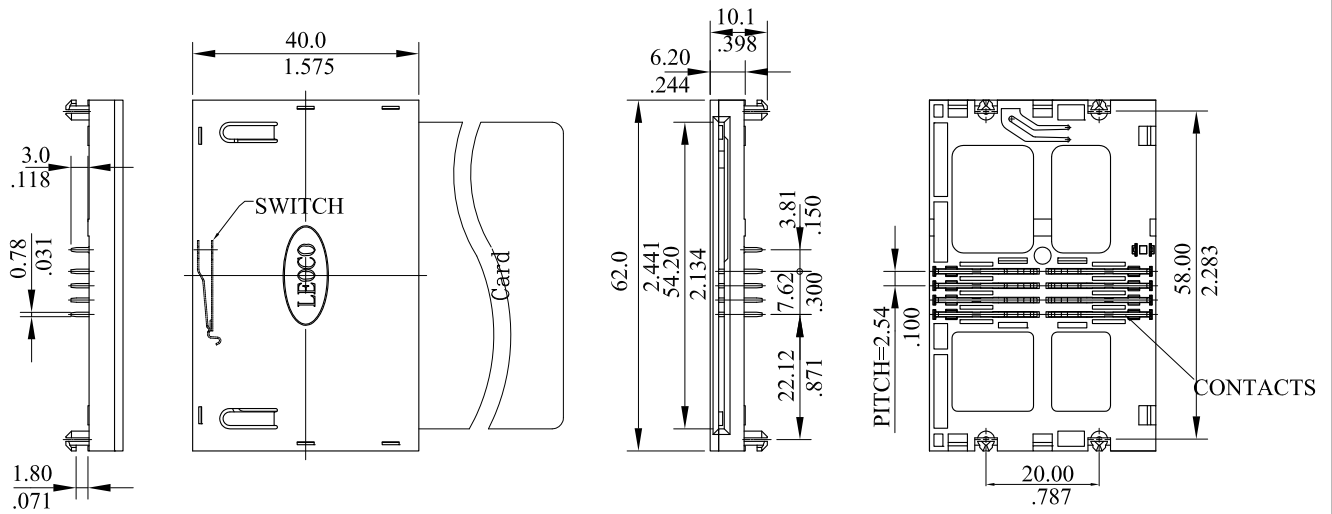
Notes:

1. Material:

- a. Housing: PBT UL94V-0, BLACK
- b. Contact & Switch: Phosphor Bronze.

2. Smart Card thickness: 0.76±0.08mm

RoHS COMPLIANT



Ordering information:

2537 S A O F 0 0 A  
1 2 3 4 5 6 7 8

- 1. Series No.
- 2. S= Single Deck Type
- 3. A= ISO Type
- 4. 0= T/H Type
- 5. Contact Plating:  
F= Selective Gold Flash over 50u" min. Nickel.
- 6. 0= Zero Stand Off
- 7. Switch Contact Type:  
0= Normal Close
- 8. A= Standard Type(Full Cover)

RECOMMENDED HOLE PATTERN

				<b>leoco</b> LEOCO CORPORATION		APPROVED:		PART NO.:									
				GENERAL TOLERANCES: (UNLESS SPECIFIED)		DATE:		2537SAOF00A									
						CHECKED:		TITLE:									
						DATE:		Smart Card Connector									
						DRAWN:		DRAWING NO.:									
						DATE:		253709S									
								UNITS		SCALE		SIZE		SHEET		REV.	
								mm inch		1:2		A4		1/1		A	
A		DWG REL															
REV.	ECO. NO.	CHG.	APP.														