

Ordering Information:

7622 - 04 04 \* \*  
 1 2 3 4

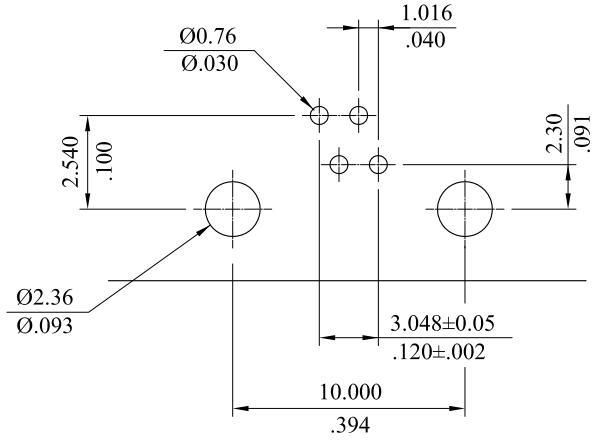
- 1. 04=4 Positions
- 2. 04=4 Contact
- 3. Plating :

U=Gold flash over 30μ "min. nickel overall  
 W= 15μ "min. gold over 30μ " min. nickel overall  
 Z= 30μ "min. gold over 30μ " min. nickel overall

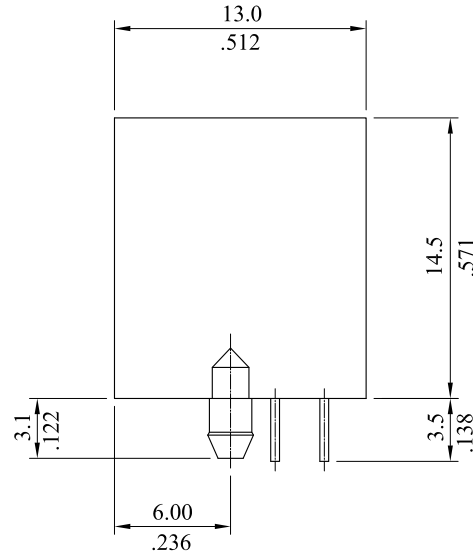
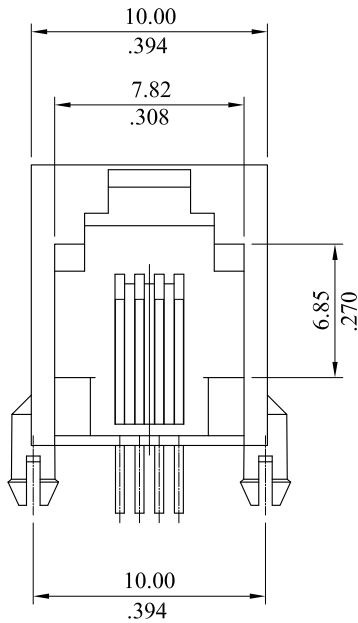
- 4. 0=Gray color(standard) 1=Black color

Material :  
 Insulator: ABS UL94V-2  
 Contact: Phosphor Bronze

RoHS COMPLIANT



Recommended hole pattern



				<b>leoco</b> LEOCO CORPORATION		APPROVED:		PART NO.:					
				GENERAL TOLERANCES: (UNLESS SPECIFIED)		DATE:		7622-0404**					
C	ES101238					CHECKED:		TITLE:					
B	ES071028			1 PLACE	± 0.30	± --	DATE:		P.C.Board Mount Telephone Jack				
A	DWG REL			2 PLACES	± 0.20	± .012	DRAWN:		DRAWING NO.:				
REV.	ECO. NO.	CHG.	APP.	3 PLACES	± 0.10	± .008	DATE:		762218S				
				4 PLACES	± --	± .004			UNITS	SCALE	SIZE	SHEET	REV.
				ANGULAR ± ( 1° )		$\frac{mm}{inch}$			3:1	A4	1/1	C	