

Ordering Information:

7622 - 06 0* * *
1 2 3 4

Material :

Insulator: ABS UL94V-2

Contact: Phosphor Bronze

RoHS COMPLIANT

1. 06=6 Positions

2. 02=2 Contact

04=4 Contact

06=6 Contact

3. Plating :

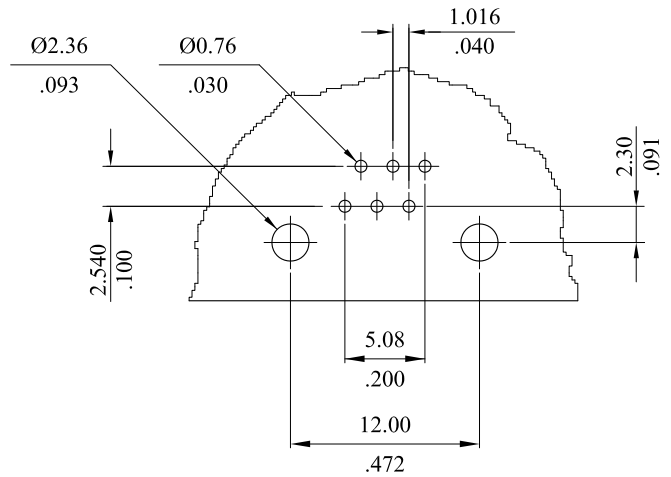
U=Gold flash over 30μ "min. nickel overall

W= 15μ "min. gold over 30μ " min. nickel overall

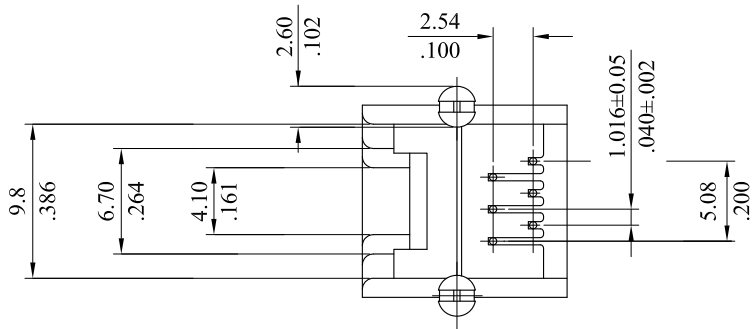
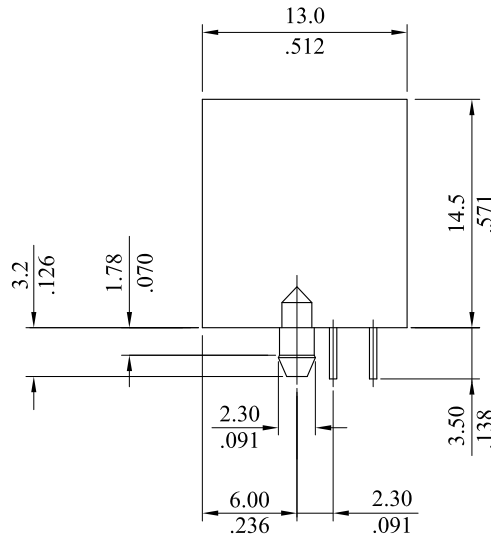
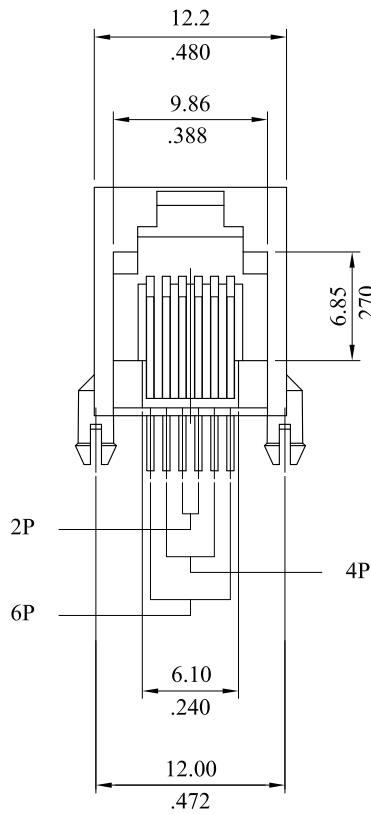
Z= 30μ "min. gold over 30μ " min. nickel overall

4. 0=Gray color(standard)

1=Black color



Recommended Hole Pattern



F	ES101204			LEOCO CORPORATION	APPROVED:	PART NO.:				
E	ES070808				GENERAL TOLERANCES: (UNLESS SPECIFIED)	DATE:	7622-060***			
D	ES060519				CHECKED:	TITLE:				
C	ES041204				DATE:	P.C.Board Mount Telephone Jack				
A	DWG REL				DRAWN:	DRAWING NO.:				
REV.	ECO. NO.	CHG.	APP.		DATE:	762208S				
						UNITS	SCALE	SIZE	SHEET	REV.
						mm inch	2:1	A4	1/1	F