

Ordering Information

7610-5 Z 00 \* A  
1 2 3 4 5 6

1. Series No.
2. 5 = Tap Up
3. LED Code:  
Z = Without LED
4. Without schematic code:00
5. Contact plating:

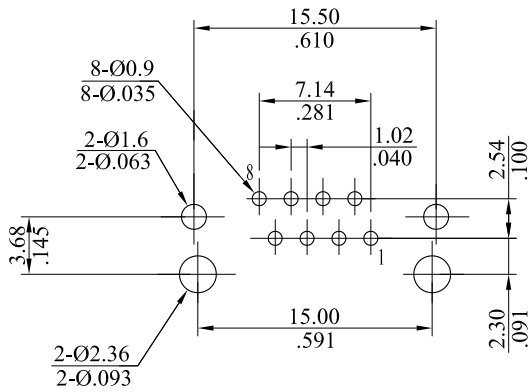
- U = Gold flash over 30µ"min. nickel overall
- Z = 30µ"min. gold over 30µ"min. nickel overall
- F = Selective gold flash over 30µ" min. nickel plated overall
- J = 15µ"min.selective gold plated over 30µ" min.nickel overall
- K = 30µ"min.selective gold plated over 30µ" min.nickel overall

6. A= Shell Full and without Spring

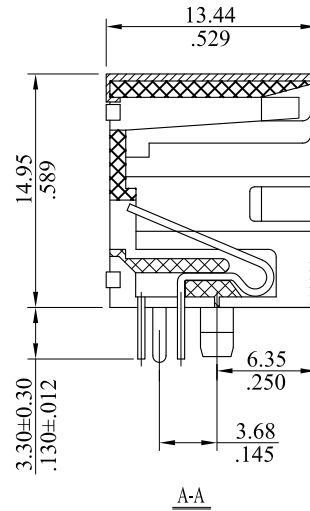
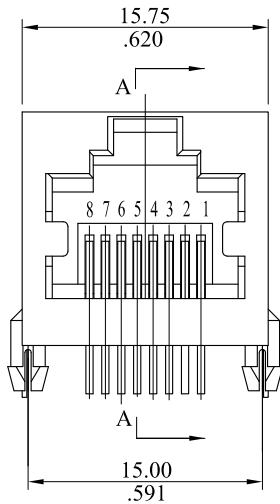
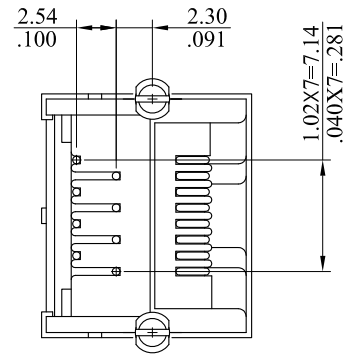
Material:

- Plastic: High performance thermoplastic,UL 94V-0.
- Shell: High performance copper alloy or stainless steel contacts
- Contact: High performance copper alloy
- Input Pin: High performance copper alloy

RoHS COMPLIANT



Recommended PCB Layout



A-A

				<b>leoco</b> LEOCO CORPORATION		APPROVED:		PART NO.:			
				GENERAL TOLERANCES: (UNLESS SPECIFIED)		DATE:		7610-5Z00*A			
						CHECKED:		TITLE:			
						DATE:		NETWORKING 8P8C RJ45			
				1 PLACE ± 0.30 ± --		DRAWN:		DRAWING NO.:			
				2 PLACES ± 0.20 ± .012		DATE:		761002S			
				3 PLACES ± 0.10 ± .008		UNITS		SCALE	SIZE	SHEET	REV.
				4 PLACES ± -- ± .004		mm		2:1	A4	1/1	A
				ANGULAR ± ( 1° )		inch					
<b>A</b>	DWG REL										
<b>REV.</b>	<b>ECO. NO.</b>	<b>CHG.</b>	<b>APP.</b>								