

Ordering Information

7610-6 * * * * A
1 2 3 4 5 6

1. Series No.
2. 6 = Tap Up
3. LED Code:
1 = Left LED:Green Right LED:Yellow
4 = Left LED:Yellow Right LED:Green
5 = Left LED:Green Right LED:Green

4. Schematic code: See product drawing

5. Contact plating:

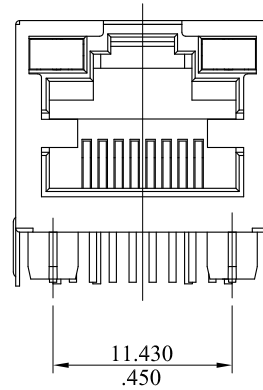
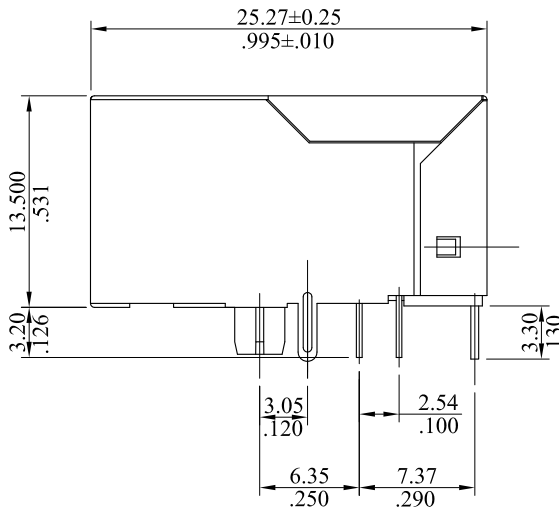
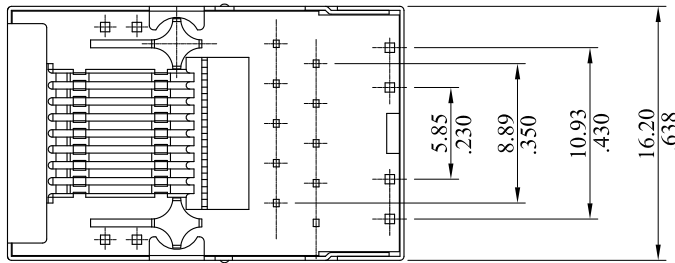
- U = Gold flash over 30μ"min. nickel overall
- Z = 30μ"min. gold over 30μ"min. nickel overall
- F = Selective gold flash over 30μ" min. nickel plated overall
- J = 15μ"min.selective gold plated over 30μ" min.nickel overall
- K = 30μ"min.selective gold plated over 30μ" min.nickel overall

6. A= Shell Full and without Spring

Material:

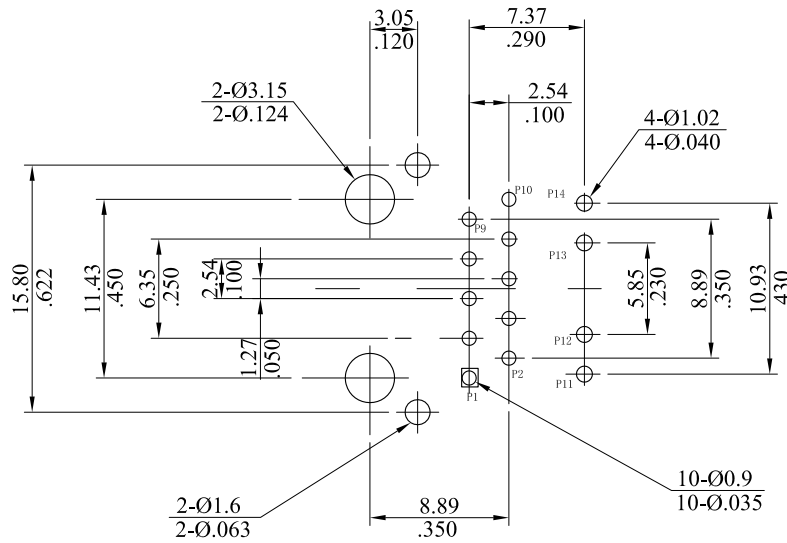
- Plastic: High performance thermoplastic,UL 94V-0.
- Shell: High performance copper alloy or stainless steel contacts
- Contact: High performance copper alloy
- Input Pin: High performance copper alloy

RoHS COMPLIANT



				leoco LEOCO CORPORATION		APPROVED:		PART NO.:				
				GENERAL TOLERANCES: (UNLESS SPECIFIED)		DATE:		7610-6****A				
						CHECKED:		TITLE:				
						DATE:		NETWORKING 8P8C RJ45				
						DRAWN:		DRAWING NO.:				
						DATE:		761001S				
								UNITS	SCALE	SIZE	SHEET	REV.
								mm inch	2:1	A4	1/2	A
A	DWG REL											
REV.	ECO. NO.	CHG.	APP.									

RoHS COMPLIANT



Recommended PCB Layout

Electrical Specification

10/100

Insertion Loss Tx/Rx(dB Max.)	Return Loss Tx/Rx (dB Min.)			Cross Talk Tx/Rx(dB Min.)	CMA Tx/Rx(dB Min.)	Turns Ratio Tx/Rx(+/-5%)
	1-100 MHz	1-30 MHz	30-60MHz			
-1.0/-1.0	-18/-18	-16/-16	-12/-12	-30	-30	1:1 / 1:1
-1.0/-1.0	-18/-18	-16/-16	-12/-12	-30	-30	2:1 / 1:1

10/100/1000

Insertion Loss Tx/Rx(db Max.)	Return Loss Tx/Rx(dB Min.)			Cross Talk Tx/Rx(dB Min.)	CMA Tx/Rx(dB Min.)	Turns Ratio Tx/Rx(+/-5%)
	1-100 MHz	1-30 MHz	30-60MHz			
-1.0/-1.0	-18/-18	-16/-16	-12/-12	-30	-30	1:1 / 1:1



LECO CORPORATION

GENERAL TOLERANCES:
(UNLESS SPECIFIED)

	mm	inch
1 PLACE	± 0.30	± ---
2 PLACES	± 0.20	± .012
3 PLACES	± 0.10	± .008
4 PLACES	± ---	± .004

ANGULAR ± (1°)

APPROVED:

PART NO.:

DATE:

7610-6****A

CHECKED:

TITLE:

DATE:

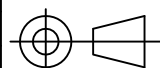
NETWORKING 8P8C RJ45

DRAWN:

DRAWING NO.:

DATE:

761001S



UNITS

SCALE

SIZE

SHEET

REV.

mm
inch

2:1

A4

2/2

A

REV.	ECO. NO.	CHG.	APP.
A	DWG REL		