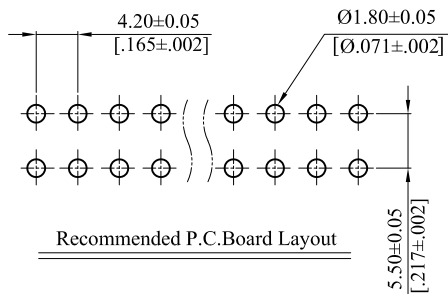
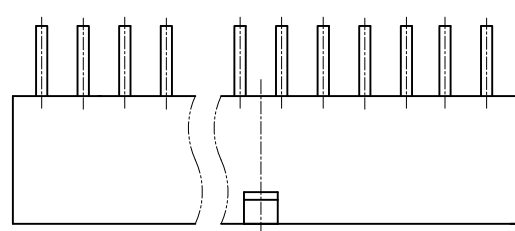


RoHS COMPLIANT

CUSTOMER DRAWING			
REV.	ECO. NO.	DESCRIPTION	DATE
H	DWG. REL.	APPROVED	2018.02.08
I	ES190411	B-6:Modify the plating code "T"to"0"	2019.04.24



Note:

Material:
Insulator: Thermoplastic
Contact: Brass

General part number:

6745P ** H * 0 *

1. No. of circuits(02~24)

2. Plating:

0= Tin plated 120µ" min. over 30µ" min. Nickel underplating overall.

U= Gold flash over 30µ" min. Nickel underplating overall .

W= 15µ" min. Gold over 30µ" min. Nickel underplating overall

Z= 30µ" min. Gold over 30µ" min. Nickel underplating overall

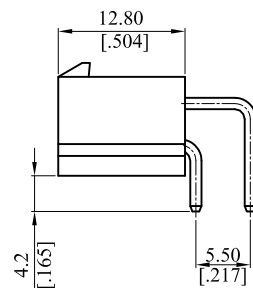
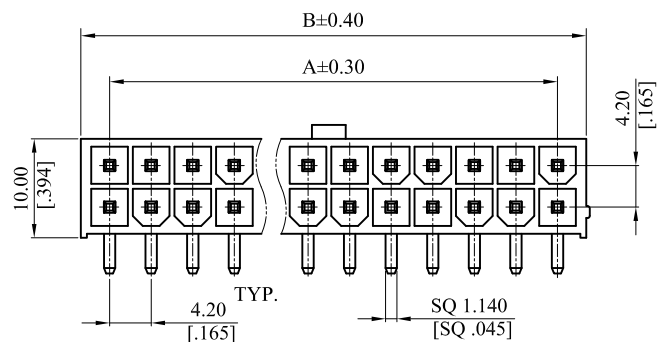
3. Options:

0= UL94V-2. without screw hole and mounting pegs, Nature

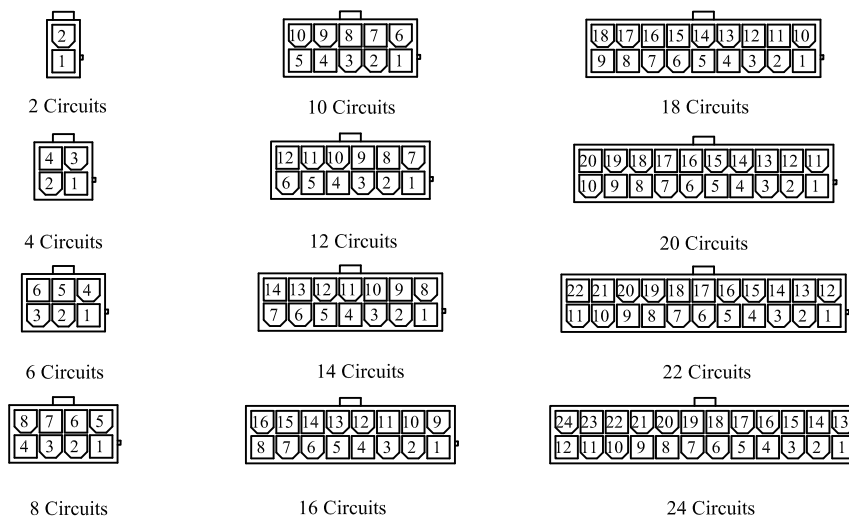
1= UL94V-0. without screw hole and mounting pegs, White

A= 4.20mm(.165")*No. of Spaces

B= A+5.40mm(.213")



Detail Circuit Pattern Schedule:



TOLERANCE UNLESS OTHERWISE SPECIFIED			LEOCO CORPORATION http://www.leoco.com.tw		
mm	mm	inch	APPROVED BY:	DATE:	TITLE:
[inch]			Chard	2019.04.24	4.2mm(.165") Pitch Right Angle PCB Power Connector
1 PLACE	± 0.30	± ---	CHECKED BY:	DATE:	
2 PLACES	± 0.20	± .012	Angel	2019.04.24	PART NO.: 6745P**H*0*
3 PLACES	± 0.10	± .008	DRAWN BY:	DATE:	
4 PLACES	± ---	± .004	Dylan	2019.04.24	DRAWING NO.: 674505S
ANGULAR ±1°			SIZE:	SCALE:	
			A3	1:1	I
			SHEET: 1 OF 1		