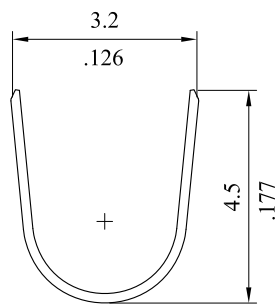
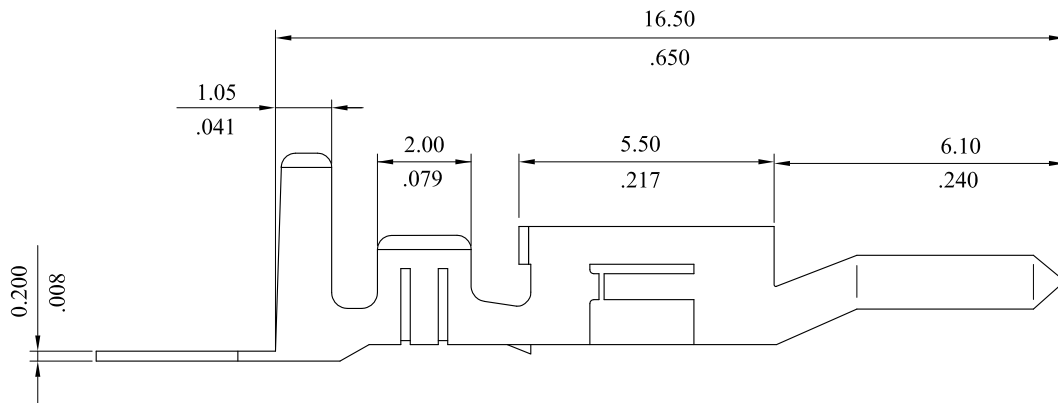
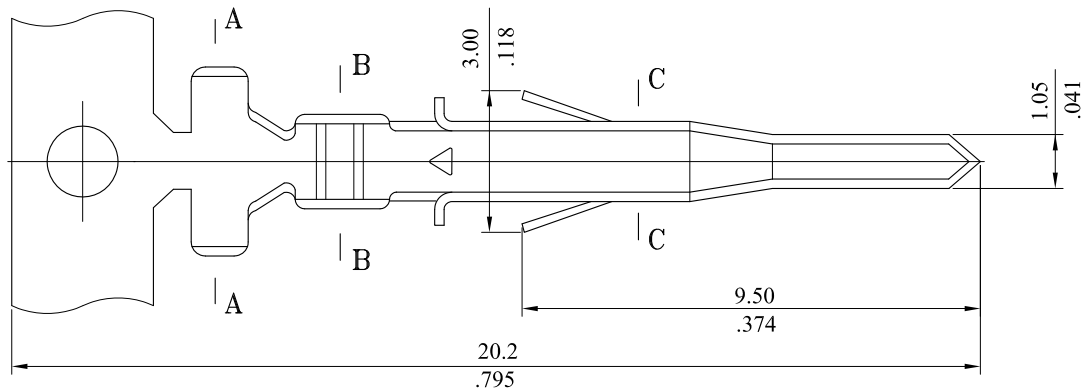


* ACCEPT WIRE RANGE: AWG #18 ~ #26

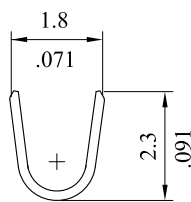
* Plating: Tin Plated

* Material: Phosphor Bronze

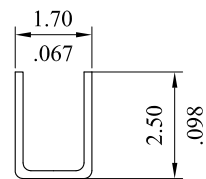
RoHS COMPLIANT



SEC A-A



SEC B-B



SEC C-C

				LEOCO CORPORATION		APPROVED:		PART NO.: 6741TPB0000					
				GENERAL TOLERANCES: (UNLESS SPECIFIED)		DATE:		TITLE: Terminal					
						CHECKED:		DRAWING NO.: 674103S					
B	ES101211			1 PLACE	± 0.30	± --	DATE:						
A	DWG REL			2 PLACES	± 0.20	± .012	DRAWN:						
REV.	ECO. NO.	CHG.	APP.	3 PLACES	± 0.10	± .008	DATE:						
				4 PLACES	± --	± .004			UNITS	SCALE	SIZE	SHEET	REV.
				ANGULAR ± (1°)		$\frac{mm}{inch}$			6:1	A4	1/1	B	