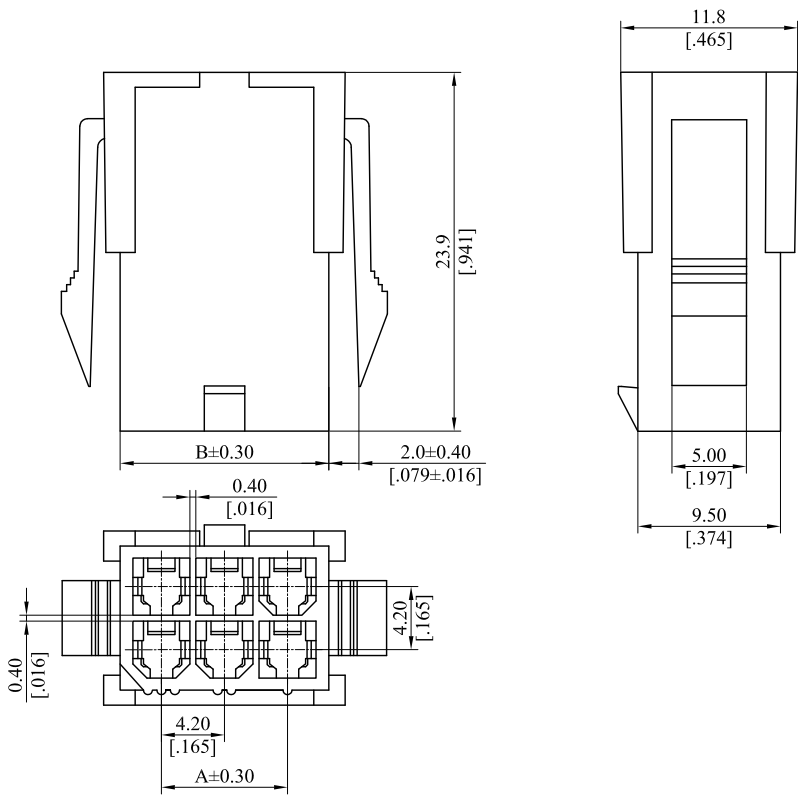


RoHS COMPLIANT

CUSTOMER DRAWING

REV.	ECO. NO.	DESCRIPTION	DATE
A	DWG. REL.		
E	ES080411		
F	ES081001		
G	ES101211		
H	ES180702	A-4 Area:11.60 to 11.80 B-3 Area: add new dimension 2.00 C-4 Area:9.60 to 9.50 C-2 Area:0.45 to 0.40	2018.07.03



Note:  
Material:  
Insert:Thermoplastic, UL94V-0

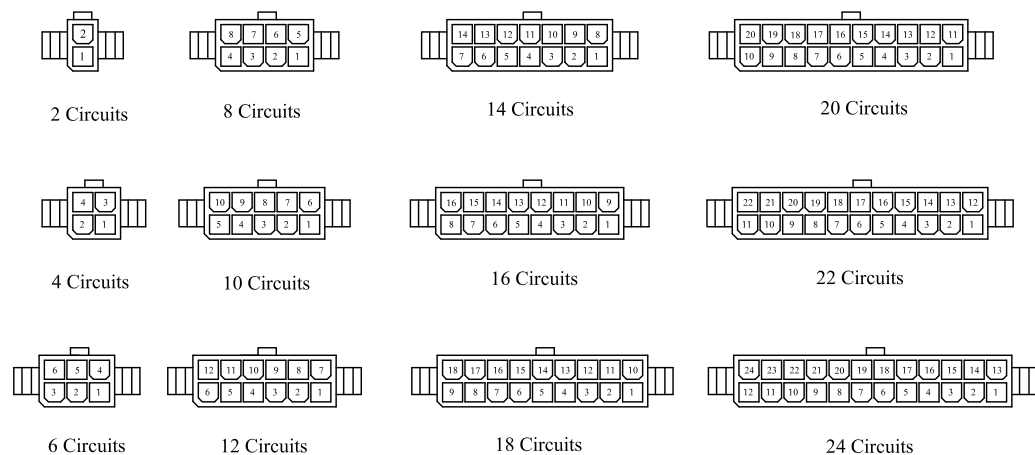
General part number:

$$6740S \frac{**}{1} M \frac{0}{2} **$$

- No. of circuits.(02~24)
- Color options  
0=White
- Material options:  
0= UL94V-2  
1= UL94V-0

A=4.20(.165 ")mm \*No. of Spaces  
B=A+5.50(.217")mm

Detail circuit pattern:



TOLERANCE UNLESS OTHERWISE SPECIFIED			LEOCO CORPORATION <a href="http://www.leoco.com.tw">http://www.leoco.com.tw</a>		
mm	mm	inch	APPROVED BY:	DATE:	TITLE:
[inch]			Chard	2018.07.03	4.20mm Pitch Male Housing
1 PLACE	± 0.30	± ---	CHECKED BY:	DATE:	
2 PLACES	± 0.20	± .012	Angel	2018.07.03	PART NO.: 6740S**M0**
3 PLACES	± 0.10	± .008	DRAWN BY:	DATE:	
4 PLACES	± ---	± .004	Dylan	2018.07.03	DRAWING NO.: 674004S REV.: H SHEET: 1 OF 1
ANGULAR ±1°			SIZE: A3	SCALE: 1:1	