

MDSL Series

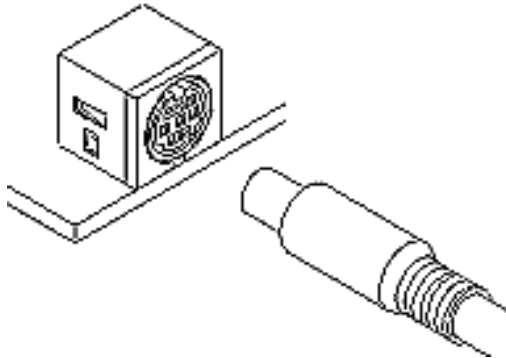
Features

- ◆ Available in 3 through 9 circuits
- ◆ High density
- ◆ With retaining clip ground strap
- ◆ Options with or without metal shell
- ◆ Mates with Leoco MDPD series



Specifications

- ◆ Current rating: 1A DC,AC
- ◆ Voltage rating: 50V DC,AC
- ◆ Temperature rating: -25°C ~ +105°C
- ◆ Contact resistance: 20mΩ max.
- ◆ Insulation resistance: 50MΩ min.
- ◆ Withstanding voltage: 500V AC /minute
- ◆ Applicable PC board thickness: 1.6mm(.063")



Standards

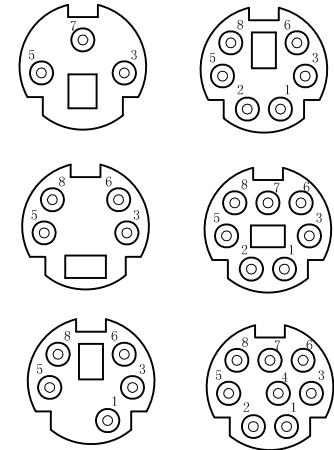
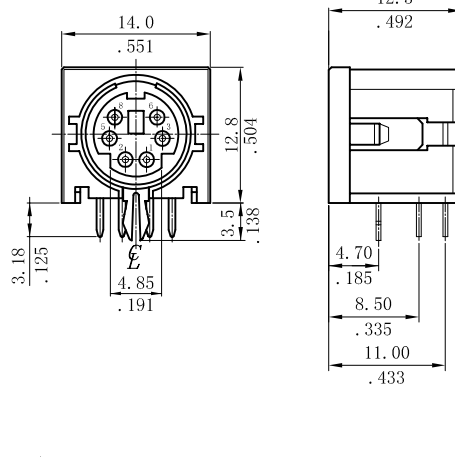
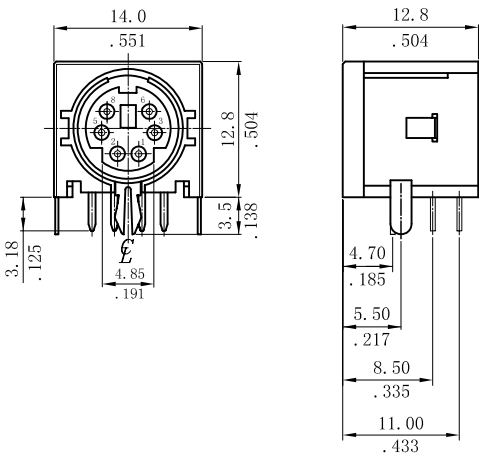
 Recognized No. E82349

MDSL-0*SCOA

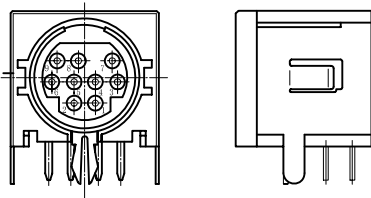
MDSL-0**00A

Unit: $\frac{\text{mm}}{\text{inch}}$

FOR 3, 4, 5, 6, 7 AND 8 CONTACTS



* For 9 contacts

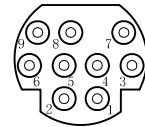


Ordering Information:

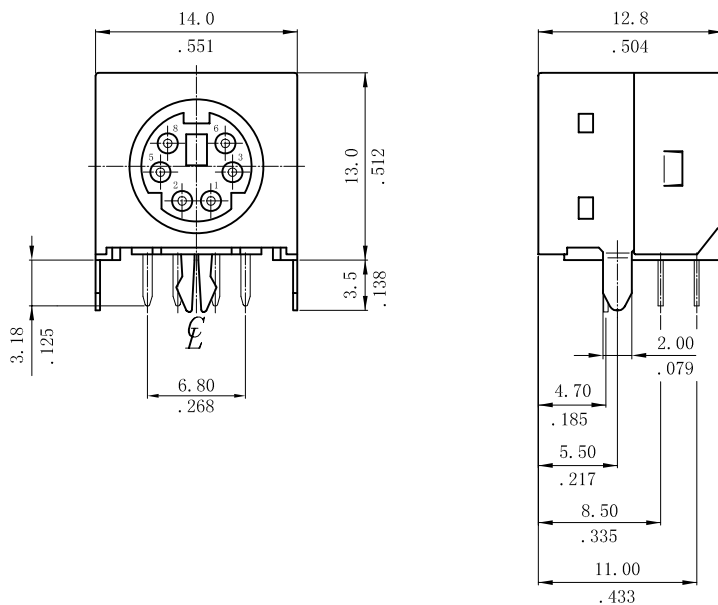
MDSL- 0* * 00A
1 2

1. No. of circuits.
2. Plating:

S= Contact area: Selective gold flash over 30~50 u" nickel overall
Soldering area: Tin plated 120u" min. over 30~50 u" nickel overall
Earth terminal area: Tin plated 120u" min. over 30~50 u" nickel overall
0= Contact area: gold flash over 30~50 u" nickel overall
Soldering area: gold flash over 30~50 u" nickel overall
Earth terminal area: gold flash over 30~50 u" nickel overall



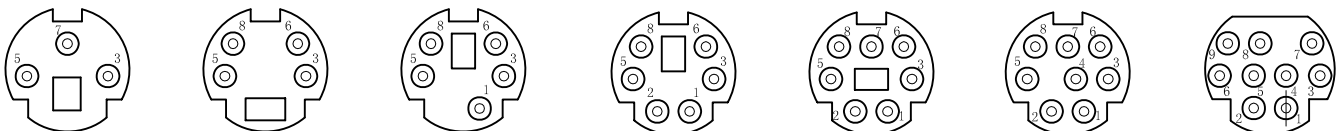
Unit: $\frac{\text{mm}}{\text{inch}}$



Ordering Information:

MDSL- 06 S EOA
1 2 3 4

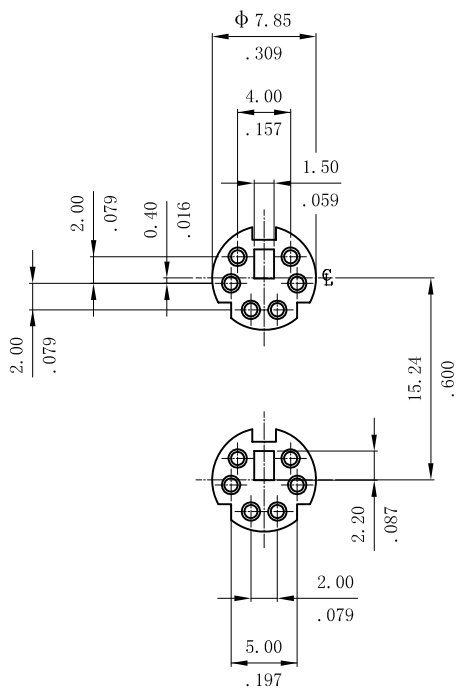
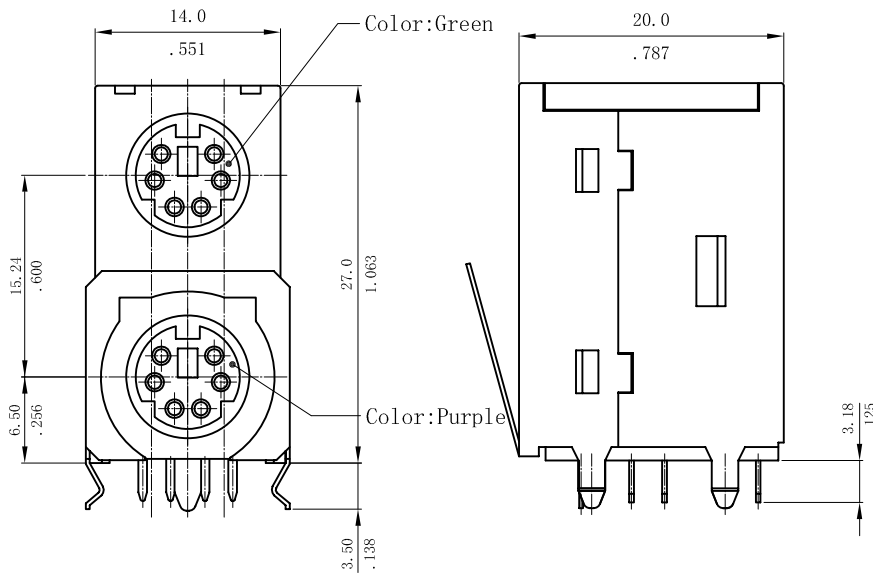
1. Series No.
2. No. of circuits.
3. Plating:
S = Tin plated 120 u" min. over 30~50 u" nickel overall
4. Special options:



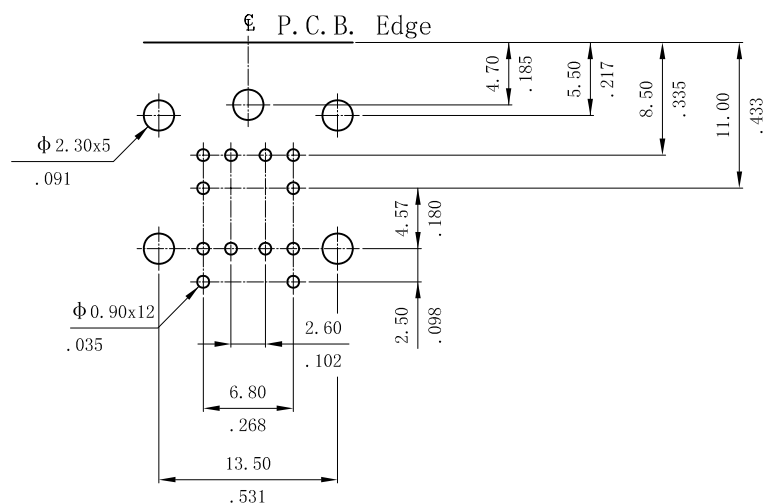
Ordering Information:

MDSL-06 S DOS
1 2 3 4

1. Series No.
2. No. of Circuits
3. Plating:
S=Contact area: Gold Flash
Over 30~50u" nickel overall
4. Special options:



Arrangement of Contact



Recommended Hole Pattern
(Bottom View)

