

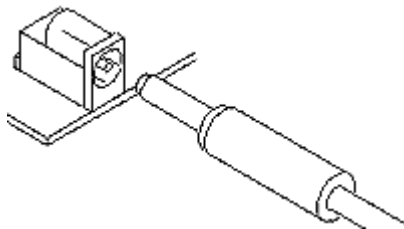
D.C. JACK Series

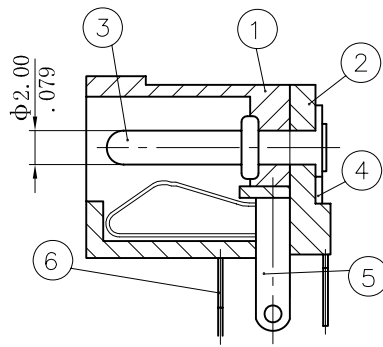
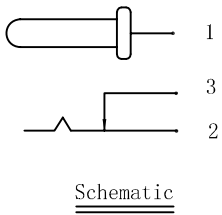
Features

- ◆ 2.0 ϕ D.C. power jack and plug
- ◆ Plug :
 - Insulator: PC, Color:Blue
 - Insulator ring: POM, Color: Black
 - Terminal, out sleeve, inner barrel: Brass, Nickel plated
- ◆ Jack cover and housing: PBT, Color: Black
 - Pin(2.0): Copper, Nickel plated
 - Break terminal: 0.4T Brass, Silver plated
 - Sleeve spring: 0.2T Phosphor bronze, Silver plated
 - Pin terminal: 0.4T, Brass, Silver plated

Specifications

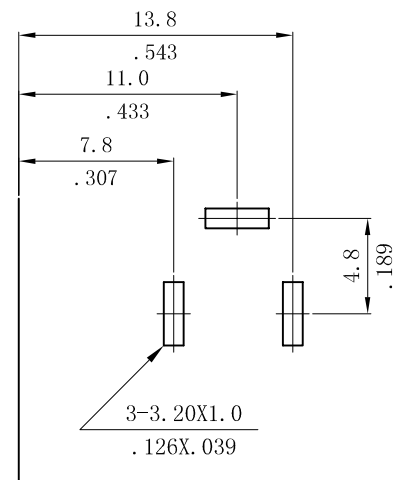
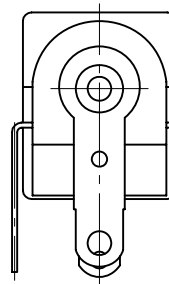
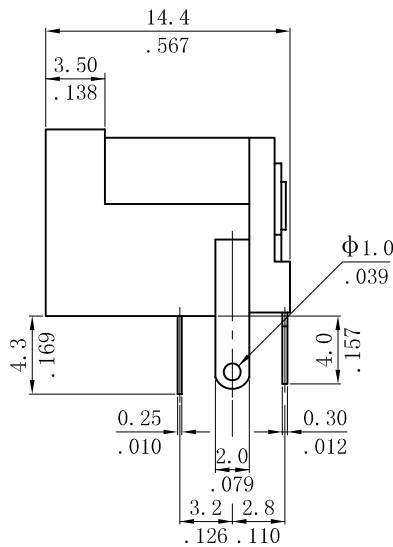
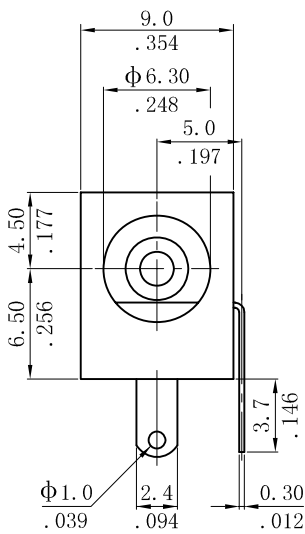
- ◆ Electrical Performance:
 - Contact Resistance: 30m Ω Max.
 - Insulation Resistance: 100M Ω Min. at DC 500 Volts.
 - Dielectric withstand voltage: AC 500V/ minute
- ◆ Mechanical Performance:
 - 1.The value of insertion force:
 - Before test or initial: 3.0 Kgf max.
 - After life test: 3.0 Kgf max.
 - 2.The value of extraction force:
 - Before test or initial: 0.3~3.0 Kgf
 - After life test: 0.2~3.0 Kgf
- ◆ Endurance:
 - Life test:
 - The life test to be made by 5,000 cycles of insertion and extraction with the matching plug at a rate of 20 to 30 cycles per minute under no load.
- ◆ Measuring condition:
 - Unless otherwise specified herein, all measurements and tests shall be made at a temperature of 5 $^{\circ}$ C to 35 $^{\circ}$ C and a relative humidity of 40% to 85%
- ◆ Applicable PC board thickness:1.6mm





DCJK	P	**	H	0	0	1
1	2	3	4	5	6	7

1. Series No.
2. JACK Designation
P---Plug
S---Socket
3. The Dia. of Contact
20---2.0mm
4. JACK Appearance
H---Right Angle
V---Straight
E---With Ears
S---With Screws
5. Type of Terminal
0---Normal
K---With Kink
6. Accessory:
0---Without Shell
S---With Shell
7. Special Options



RECOMMENDED HOLE PATTERN