

## DPM/DSM Series



### Features

- ◆ Available in 9,15,25 and 37 circuits
- ◆ Full rear insulation cover
- ◆ Other options with hexagonal female screwlocks are available
- ◆ Available with ground strap or retaining clip ground strap
- ◆ Insulator: Glass filled polyester UL94V-0
- ◆ Color: Black
- ◆ DPM Contact: Brass  
DSM Contact: Phosphor bronze
- ◆ Shell: Steel, tin plated as standard

### Ordering Information

DB-25 PM U R L1  
1 2 3 4 5

#### 1. No. of Circuits:

- DE-09 = 9 circuits
- DA-15 = 15 circuits
- DB-25 = 25 circuits
- DC-37 = 37 circuits

#### 2. Contact designation:

- PM=Right angle plug terminal in 10.30mm(.406") foot print
- SM=Right angle Receptacle terminal in 10.30mm(.406") foot print

#### 3. Contact plating:

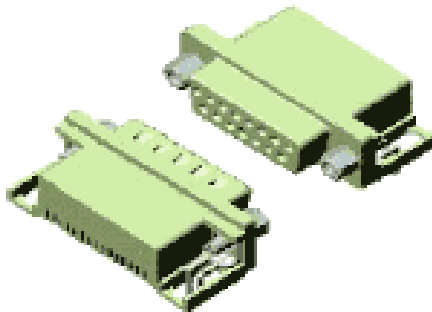
- U = Gold flash over 30~50  $\mu$  " nickel overall
- W = 15  $\mu$  " gold over 30~50  $\mu$  " nickel overall
- Z = 30  $\mu$  " gold over 30~50  $\mu$  " nickel overall
- F = Selective gold flash over 30~50  $\mu$  " nickel overall
- J = 15  $\mu$  " selective gold plated over 30~50  $\mu$  " nickel overall
- K = 30  $\mu$  " selective gold plated over 30~50  $\mu$  " nickel overall

#### 4. Female screwlock variations:

- C = Assembled type with standard #4-40 UNC female screwlocks
- R = Riveted with #4-40 UNC flush insert without female screwlocks
- N = Riveted with #4-40 UNC flush insert then preloaded with #4-40 UNC hexagonal female screwlocks

#### 5. Ground fixture variations:

- L1 = With standard #4-40 UNC ground strap
- L2 = With standard retaining clip ground strap



### Specifications

- ◆ Current rating: 3A AC,DC
- ◆ Voltage rating: 250V AC,DC
- ◆ Temperature rating: -25°C ~ +105°C
- ◆ Contact resistance: 20m  $\Omega$  max.
- ◆ Insulation resistance: 5,000M  $\Omega$  min.
- ◆ Withstanding voltage: 1,000V AC /minute
- ◆ Applicable PC board thickness: 1.6mm

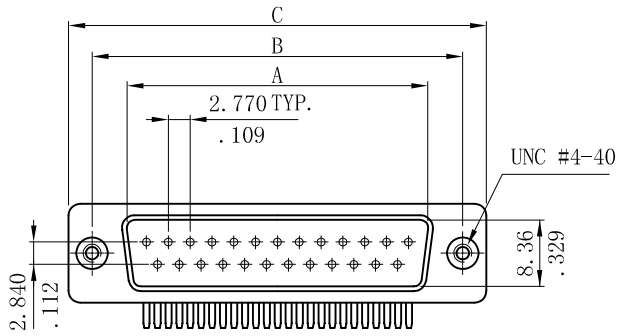
### Standards



Recognized No. E82349

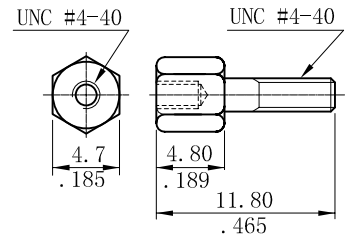
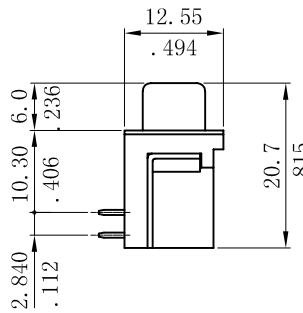
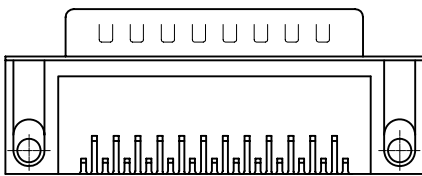


Certified No. LR65731



Dimensional & Ordering Information:

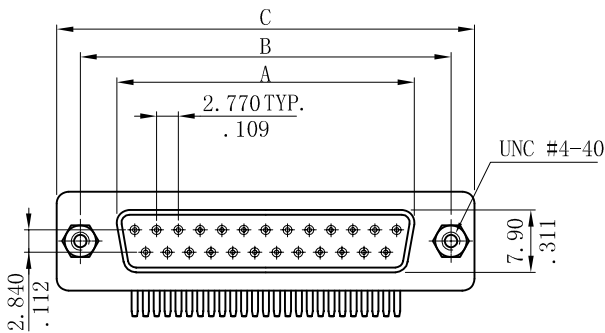
Circuits	Dim. A	Dim. B	Dim. C
09	16.92 (.666)	24.99 (.984)	30.80 (1.213)
15	25.25 (.994)	33.32 (1.312)	39.10 (1.539)
25	38.96 (1.534)	47.04 (1.852)	53.00 (2.087)
37	55.42 (2.182)	63.50 (2.500)	69.30 (2.728)



HW-H118EN00

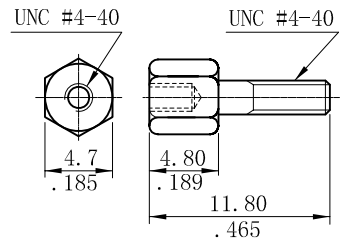
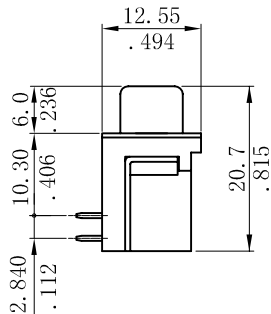
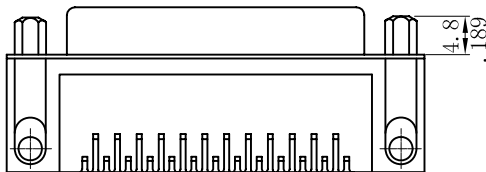
DSM

Series 10.30mm(.406")Foot Print R/A D-Sub Receptacle



Dimensional & Ordering Information:

Circuits	Dim. A	Dim. B	Dim. C
09	16.33 (.643)	24.99 (.984)	30.80 (1.213)
15	24.66 (.971)	33.32 (1.312)	39.10 (1.539)
25	38.38 (1.511)	47.04 (1.852)	53.00 (2.087)
37	54.84 (2.159)	63.50 (2.500)	69.30 (2.728)



HW-H118EN00