

DPL/DSL Series



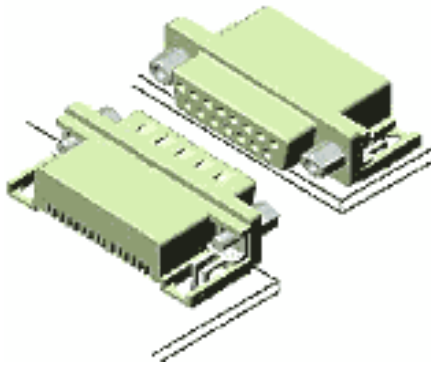
Features

- ◆ Available in 9,15,25 and 37 circuits
- ◆ Full rear insulation cover
- ◆ Other options with hexagonal female screwlocks are available
- ◆ Available with ground strap or retaining clip ground strap
- ◆ Selective gold plated terminal
- ◆ Insulator: Glass filled polyester UL94V-0
- ◆ Color: Black
- ◆ DPL Contact: Brass
DSL Contact: Phosphor bronze
- ◆ Shell: Steel, tin plated as standard

Ordering Information

DB-25 PL U R L1
1 2 3 4 5

1. No. of Circuits:
DE-09 = 9 circuits
DA-15 = 15 circuits
DB-25 = 25 circuits
DC-37 = 37 circuits
2. Contact designation:
PL=Right angle plug terminal in 8.10mm(.319") foot print
SL=Right angle Receptacle terminal in 8.10mm(.319") foot print
3. Contact plating:
U = Gold flash over 30~50 μ " nickel overall
W = 15 μ " gold over 30~50 μ " nickel overall
Z = 30 μ " gold over 30~50 μ " nickel overall
F = Selective gold flash over 30~50 μ " nickel overall
J = 15 μ " selective gold plated over 30~50 μ " nickel overall
K = 30 μ " selective gold plated over 30~50 μ " nickel overall
4. Female screwlock variations:
C = Assembled type with standard #4-40 UNC female screwlocks
R = Riveted with #4-40 UNC flush insert without female screwlocks
N = Riveted with #4-40 UNC flush insert then preloaded with #4-40 UNC hexagonal female screwlocks
5. Ground fixture variations:
L1 = With standard #4-40 UNC ground strap
L2 = With standard retaining clip ground strap
L4 = With standard double retaining clip ground strap



Specifications

- ◆ Current rating: 3A AC,DC
- ◆ Voltage rating: 250V AC,DC
- ◆ Temperature rating: -25°C ~ +105°C
- ◆ Contact resistance: 20m Ω max.
- ◆ Insulation resistance: 5,000M Ω min.
- ◆ Withstanding voltage: 1,000V AC /minute
- ◆ Applicable PC board thickness: 1.6mm

Standards



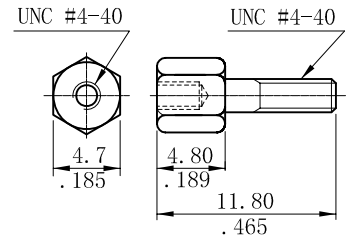
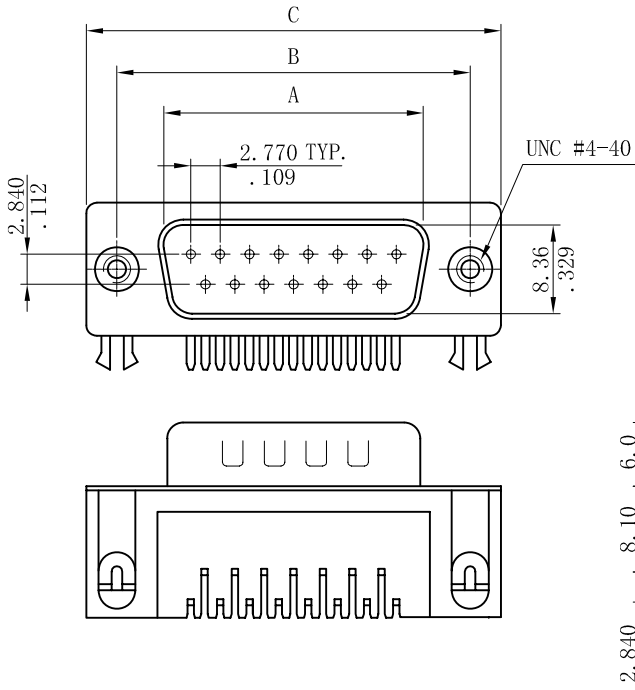
Recognized No. E82349



Certified No. LR65731

Dimensional & Ordering Information:

Circuits	Dim. A	Dim. B	Dim. C
09	16.92(.666)	24.99(.984)	30.80(1.213)
15	25.25(.994)	33.32(1.312)	39.10(1.539)
25	38.96(1.534)	47.04(1.852)	53.00(2.087)
37	55.42(2.182)	63.50(2.500)	69.30(2.728)



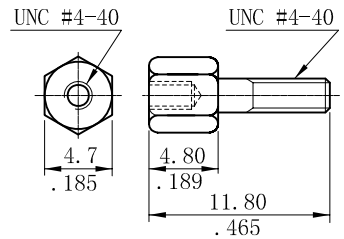
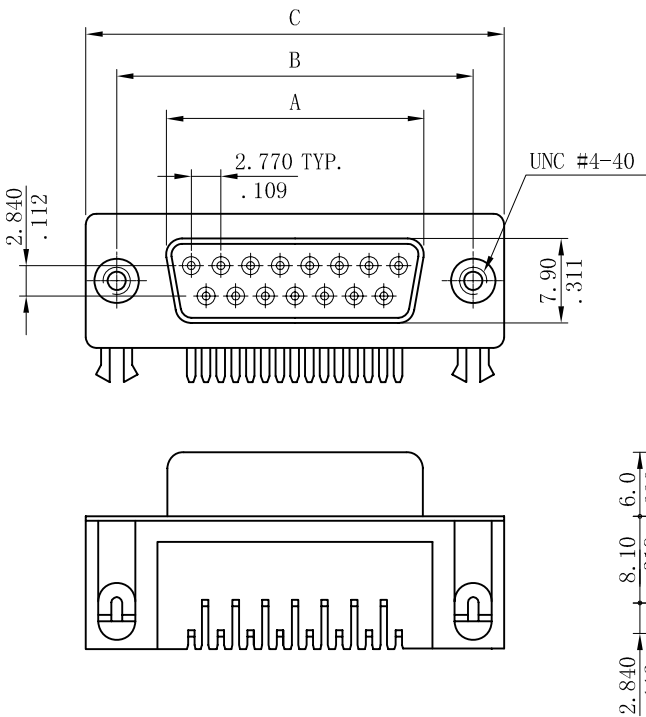
HW-H118EN00

DSL

Series 8.10mm(.319")Foot Print R/A D-Sub Receptacle

Dimensional & Ordering Information:

Circuits	Dim. A	Dim. B	Dim. C
09	16.33(.643)	24.99(.984)	30.80(1.213)
15	24.66(.971)	33.32(1.312)	39.10(1.539)
25	38.38(1.511)	47.04(1.852)	53.00(2.087)
37	54.84(2.159)	63.50(2.500)	69.30(2.728)



HW-H118EN00