

DPI/DSI Series



Features

- ◆ Available in 9,15,25 and 37 circuits
- ◆ Optional #4-40 UNC clinch nuts
- ◆ Height profile
- ◆ Insulator: Glass filled polyester UL94V-0
- ◆ Color: Black
- ◆ Insert: Glass filled Nylon 6/6 UL94V-0
- ◆ Contact: Brass
- ◆ Shell: Steel, tin plated as standard

Ordering Information

DB-25 PI U C D1
1 2 3 4 5

1. No. of Circuits:

- DE-09 = 9 circuits
- DA-15 = 15 circuits
- DB-25 = 25 circuits
- DC-37 = 37 circuits

2. Contact designation:

- PI = Plug with straight solder tail plug
- SI = Receptacle with straight solder tail receptacle

3. Contact plating:

- U = Gold flash over 30~50 μ " nickel overall
- W = 15 μ " gold over 30~50 μ " nickel overall
- Z = 30 μ " gold over 30~50 μ " nickel overall
- F = Selective gold flash over 30~50 μ " nickel overall
- J = 15 μ " selective gold plated over 30~50 μ " nickel overall
- K = 30 μ " selective gold plated over 30~50 μ " nickel overall

4. Pin length variations:

- C = Stamped contact

5. Variations:

- D1 = Standard with 3.05mm(.012") dia. mount hole
- D2 = With #4-40 UNC hexagonal standoff
- T2 = With riveted #4-40 UNC clinch nuts 6mm thickness
- T4 = With riveted #4-40 UNC clinch nuts 2.5mm thickness

Specifications

- ◆ Current rating: 3A AC,DC
- ◆ Voltage rating: 250V AC,DC
- ◆ Temperature rating: -25 $^{\circ}$ C ~ +105 $^{\circ}$ C
- ◆ Contact resistance: 20m Ω max.
- ◆ Insulation resistance: 5,000M Ω min.
- ◆ Withstanding voltage: 1,000V AC /minute
- ◆ Applicable PC board thickness: 1.6mm

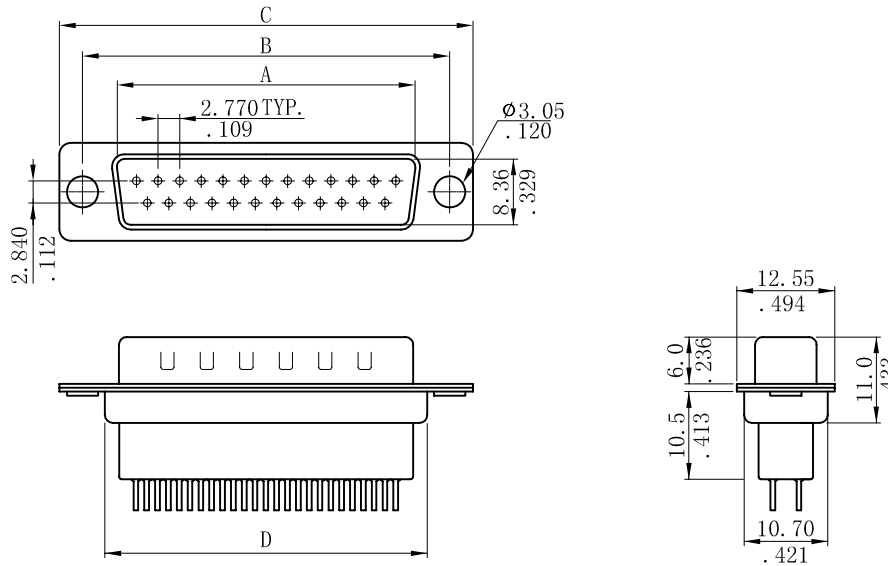
Standards



Recognized No. E82349

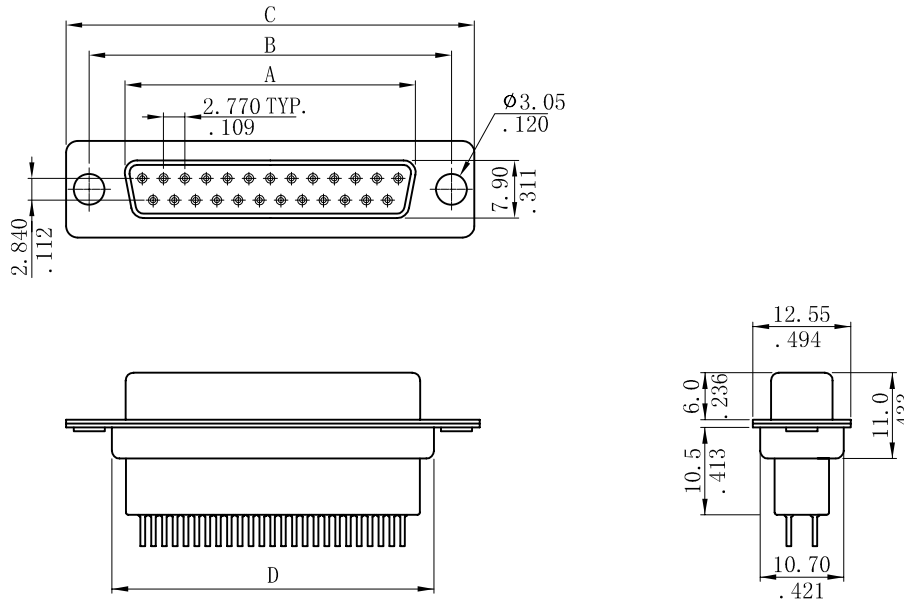


Certified No. LR65731



Dimensional & Ordering Information:

Circuits	Dimension			
	Dim. A	Dim. B	Dim. C	Dim. D
9	16.92 (.666)	24.99 (.984)	30.80 (1.213)	19.23 (.757)
15	25.25 (.994)	33.32 (1.312)	39.10 (1.539)	27.56 (1.085)
25	38.96 (1.534)	47.04 (1.852)	53.00 (2.087)	41.28 (1.625)
37	55.42 (2.182)	63.50 (2.500)	69.30 (2.728)	57.73 (2.273)



Dimensional & Ordering Information:

Circuits	Dimension			
	Dim. A	Dim. B	Dim. C	Dim. D
9	16.33 (.643)	24.99 (.984)	30.80 (1.213)	19.23 (.757)
15	24.66 (.971)	33.32 (1.312)	39.10 (1.539)	27.56 (1.085)
25	38.38 (1.511)	47.04 (1.852)	53.00 (2.087)	41.28 (1.625)
37	54.84 (2.159)	63.50 (2.500)	69.30 (2.728)	57.73 (2.273)