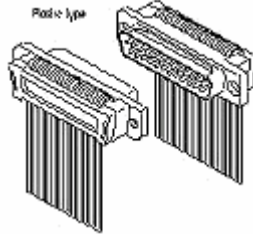


### Features

- ◆ Available in 9, 15, 25 and 37 circuits
- ◆ Optional flush insert
- ◆ All plastic or nickel plated metal shell is available
- ◆ Insulator: Glass filled polyester
- ◆ Color: Blue or Black
- ◆ Contact: Copper Alloy

### Specifications

- ◆ Current rating: 3A AC, DC
- ◆ Voltage rating: 250V AC, DC
- ◆ Temperature rating: -25°C ~ +105°C
- ◆ Contact resistance: 20mΩ max.
- ◆ Insulation resistance: 5,000MΩ min.
- ◆ Withstanding voltage: 1,000V AC /minute
- ◆ Applicable wire: AWG 26 to 28



### Standards



Recognized No. E82349



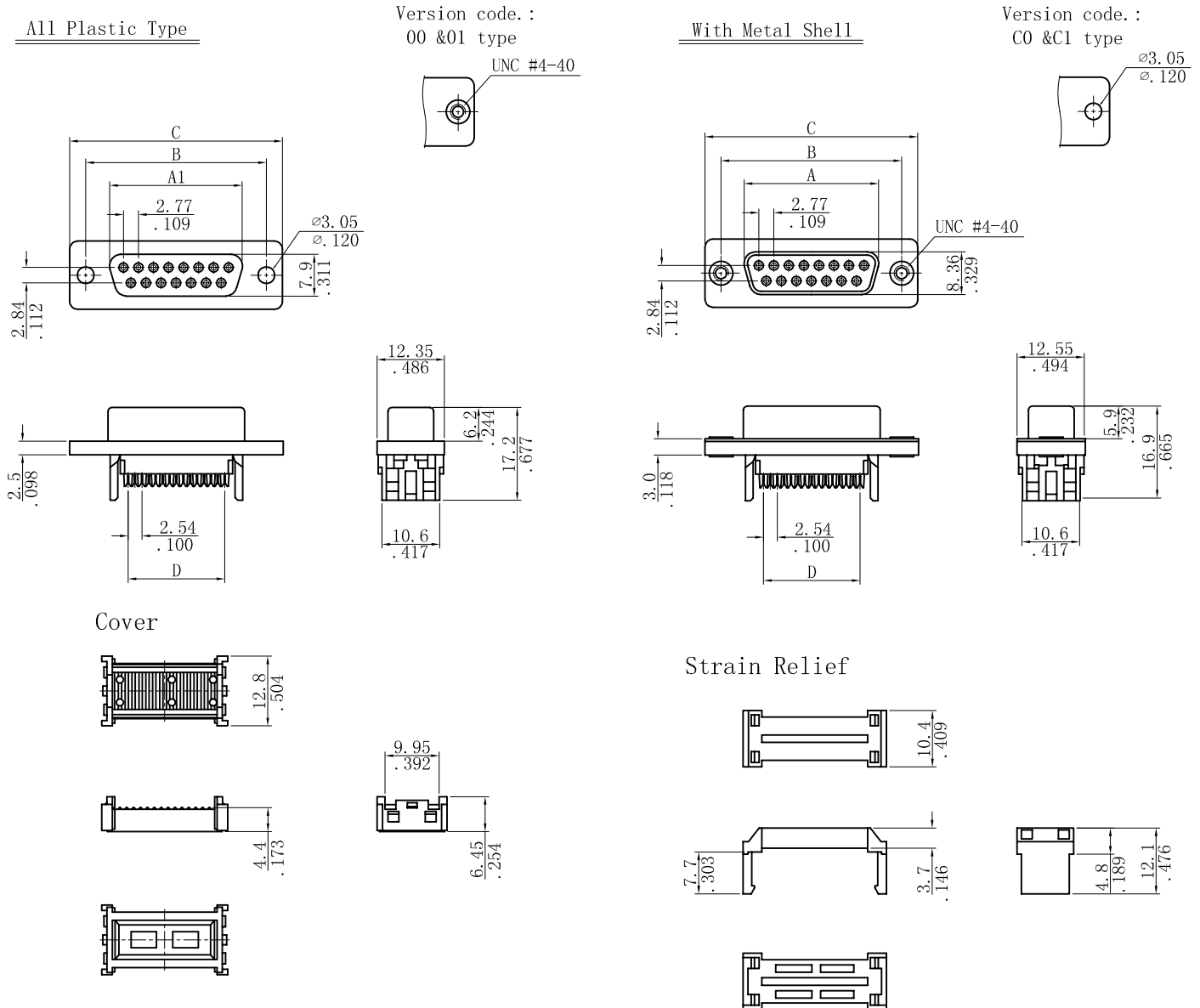
Certified No. LR65731

### Ordering Information

D\*-\*\* S F \* \* \*\*  
 1 2 3 4 5 6

1. No. of circuit  
 DE-09 = 9 circuits  
 DA-15 = 15 circuits  
 DB-25 = 25 circuits  
 DC-37 = 37 circuits
2. S = Receptacle contact
3. F = I. D. C type

4. Plating:  
 F = Selective gold flash over 30-50 u" nickel overall  
 J = 15u" Selective gold over 30-50 u" nickel overall
5. Stain relief:  
 Color: Blue  
 0 = without strain relief      1 = without strain relief  
 S = with strain relief          A = with strain relief
6. Version code  
 00 = All plastic type, with 3.05(.012") dia. Mount hole  
 01 = All plastic and riveted #4-40UNC flush insert  
 C0 = With metal shell and 3.05(.012") dia. Mount hole  
 C1 = With metal shell and riveted #4-40UNC flush insert



### Specification

Circuits	Dimension				
	A1	A	B	C	D
09	16.00 (.630)	16.33 (.643)	24.99 (.984)	30.90 (1.217)	10.16 (.400)
15	24.27 (.956)	24.66 (.971)	33.32 (1.312)	39.20 (1.543)	17.78 (.700)
25	38.22 (1.505)	38.38 (1.511)	47.04 (1.852)	53.10 (2.091)	30.48 (1.200)
37	54.65 (2.152)	54.84 (2.159)	63.50 (2.500)	69.50 (2.736)	45.72 (1.800)

Unit: mm  
inch

4. Plating:

F = Selective gold flash over 30-50 u" nickel overall  
J = 15u" Selective gold over 30-50 u" nickel overall

2 3 4 5

DB-25 = 25 circuits  
DC-37 = 37 circuits

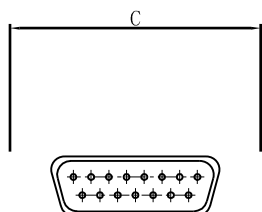
All Plastic Type

Version code.:  
00 & 01 type

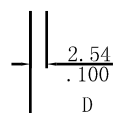
With Metal Shell

Version code.:  
C0 & C1 type

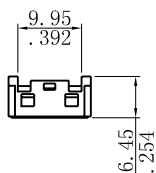
∅3.05  
∅.120



Cover



Strain Relief



Circuits	Dimension				
	A1	A	B	C	D
09	16.90 (.665)	16.92 (.666)	24.99 (.984)	30.90 (1.217)	10.16 (.400)
15			33.32 (1.312)	39.20 (1.543)	17.78 (.700)
25			47.04 (1.852)	53.10 (2.091)	30.48 (1.200)
37		2.189)	63.50 (2.500)	69.50 (2.736)	45.72 (1.800)