



Features

- ◆ Available in 9,15,19,23,25,37 and 50 circuits
- ◆ Optional #4-40 UNC hexagonal standoff or clinch nuts
- ◆ Optional plating of shell
- ◆ Color: Black
- ◆ Contact: Brass
- ◆ Shell: Steel, tin plated as standard

Ordering Information

<u>DB-25</u>	<u>PD</u>	<u>U</u>	<u>C</u>	<u>D1</u>
1	2	3	4	5

1. No. of Circuits:

- DE-09 = 9 circuits
- DA-15 = 15 circuits
- DF-19 = 19 circuits
- DG-23 = 23 circuits
- DB-25 = 25 circuits
- DC-37 = 37 circuits
- DD-50 = 50 circuits

2. Contact designation:

- PD = Male stamped contact with solder cup
- SD = Female stamped contact with solder cup

3. Contact plating:

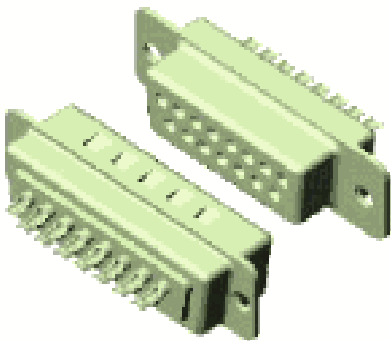
- U = Gold flash over 30~50μ" nickel overall
- W = 15μ" gold over 30~50 μ" nickel overall
- Z = 30μ" gold over 30~50 μ" nickel overall
- F = Selective gold flash over 30~50μ" nickel overall
- J = 15μ" selective gold plated over 30~50μ nickel overall
- K = 30μ" selective gold plated over 30~50μ nickel overall

4. Shell plating:

- C = Tin plated

5. Variations:

- D1 = Standard with 3.05mm(.012") dia. mount hole
- D2 = With #4-40 UNC hexagonal standoff
- T2 = With riveted #4-40 UNC clinch nuts 6mm thickness
- T4 = With riveted #4-40 UNC clinch nuts 2.5mm thickness



Specifications

- ◆ Current rating: 3A AC,DC
- ◆ Voltage rating: 250V AC,DC
- ◆ Temperature rating: -25°C ~ +105°C
- ◆ Contact resistance: 20mΩ max.
- ◆ Insulation resistance: 5,000MΩ min.
- ◆ Withstanding voltage: 1,000V AC /minute
- ◆ Insulator: Glass filled polyester UL94V-0

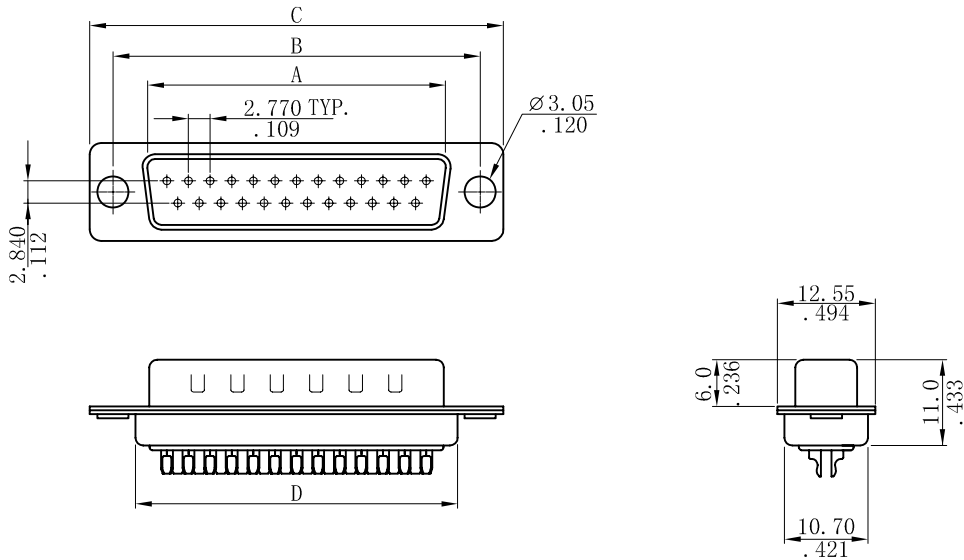
Standards



Recognized No. E82349



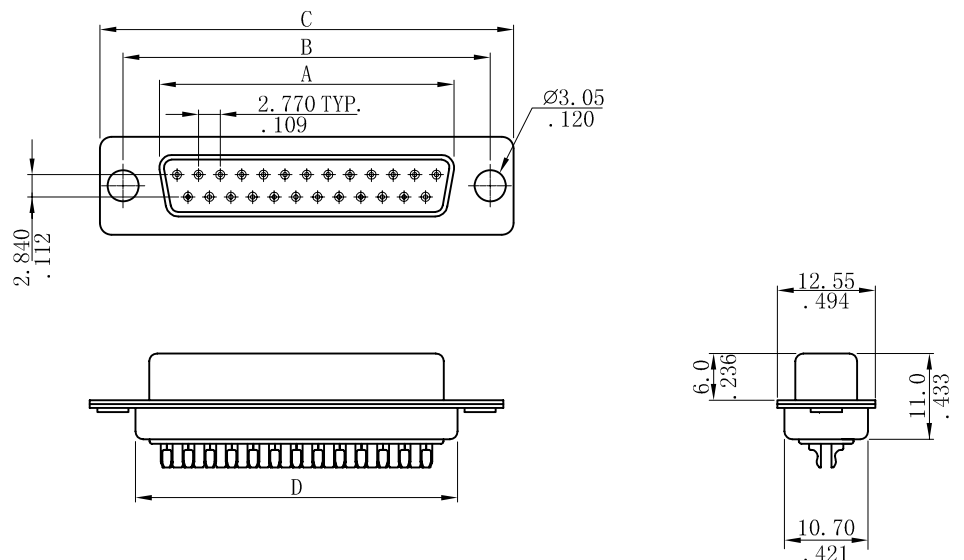
Certified No. LR65731



Dimensional & Ordering Information:

Circuits	Dimension			
	Dim. A	Dim. B	Dim. C	Dim. D
9	16.92 (.666)	24.99 (.984)	30.80 (1.213)	19.23 (.757)
15	25.25 (.994)	33.32 (1.312)	39.10 (1.539)	27.56 (1.085)
25	38.96 (1.534)	47.04 (1.852)	53.00 (2.087)	41.28 (1.625)
37	55.42 (2.182)	63.50 (2.500)	69.30 (2.728)	57.73 (2.273)

DSD



Dimensional & Ordering Information:

Circuits	Dimension			
	Dim. A	Dim. B	Dim. C	Dim. D
9	16.33 (.643)	24.99 (.984)	30.80 (1.213)	19.23 (.757)
15	24.66 (.971)	33.32 (1.312)	39.10 (1.539)	27.56 (1.085)
25	38.38 (1.511)	47.04 (1.852)	53.00 (2.087)	41.28 (1.625)
37	54.84 (2.159)	63.50 (2.500)	69.30 (2.728)	57.73 (2.273)