

DHSK Series



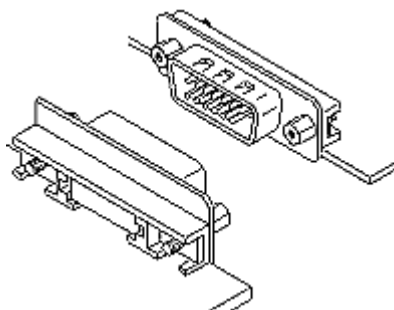
Features

- ◆ Audible in 15 circuits
- ◆ Insulator: UL94V-0 PPS.
- ◆ Contact: Phosphor bronze
- ◆ Shell: Steel, Nickel plated

Ordering Information

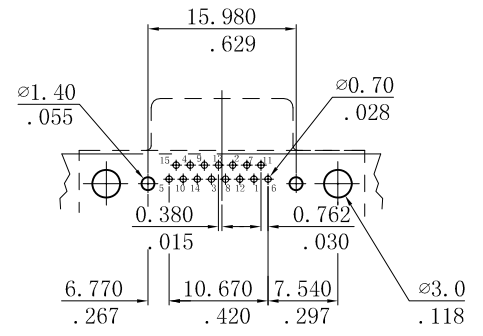
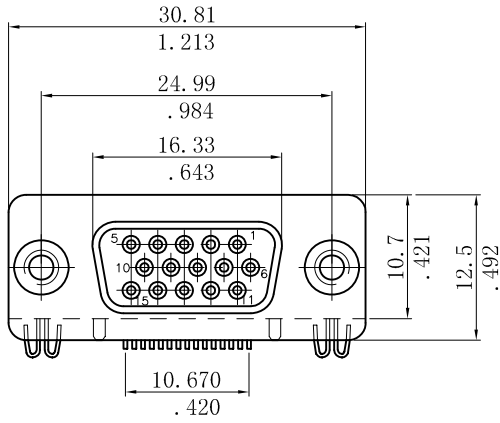
DHSK - ** F R C 2
1 2 3 4 5 6

1. Series No.
2. No. of circuits
3. F= Selective gold over 30~50 μ " nickel overall
4. R= Riveted type
5. C= Foot print pitch=1.2mm(.047")
6. 2= L type clip



Specifications

- ◆ Current rating: 1A AC
- ◆ Voltage rating: 250V DC
- ◆ Temperature rating: -65 $^{\circ}$ C ~ + 125 $^{\circ}$ C
- ◆ Contact resistance: 20m Ω max.
- ◆ Insulation resistance: 1,000M Ω min.
- ◆ Withstanding voltage: 250V AC /minute
- ◆ Applicable PC board thickness: 1.6mm



RECOMMENDED HOLE PATTERN

