

DHPT/DHST Series



Features

- ◆ Available in 15,26,44 and 62 circuits
- ◆ Optional #4-40 UNC clinch nuts
- ◆ With ground indents in plug version
- ◆ Insulator: Glass filled polyester UL94V-0
- ◆ Color: Black
- ◆ DHPT Contact: Brass
- ◆ DHST Contact: Phosphor bronze
- ◆ Shell: Steel, tin plated as standard

Ordering Information

DHPT - 15 U C D1
1 2 3 4 5

1. Series No.

2. No. of circuits:

3. Contact plating:

U = Gold flash over 30~50 μ " nickel overall

W = 15 μ " gold over 30~50 μ " nickel overall

Z = 30 μ " gold over 30~50 μ " nickel overall

4. Shell plating:

C = Tin plated

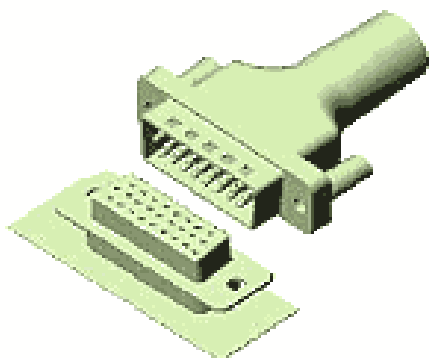
5. Variations:

D1 = Standard type

D2 = With #4-40 UNC hexagonal standoff

T2 = With riveted #4-40 UNC clinch nuts 6mm thickness

T4 = With riveted #4-40 UNC clinch nuts 2.5mm thickness



Specifications

- ◆ Current rating: 3A AC,DC
- ◆ Voltage rating: 250V AC,DC
- ◆ Temperature rating: -25°C ~ +105°C
- ◆ Contact resistance: 20m Ω max.
- ◆ Insulation resistance: 5,000M Ω min.
- ◆ Withstanding voltage: 1,000V AC /minute

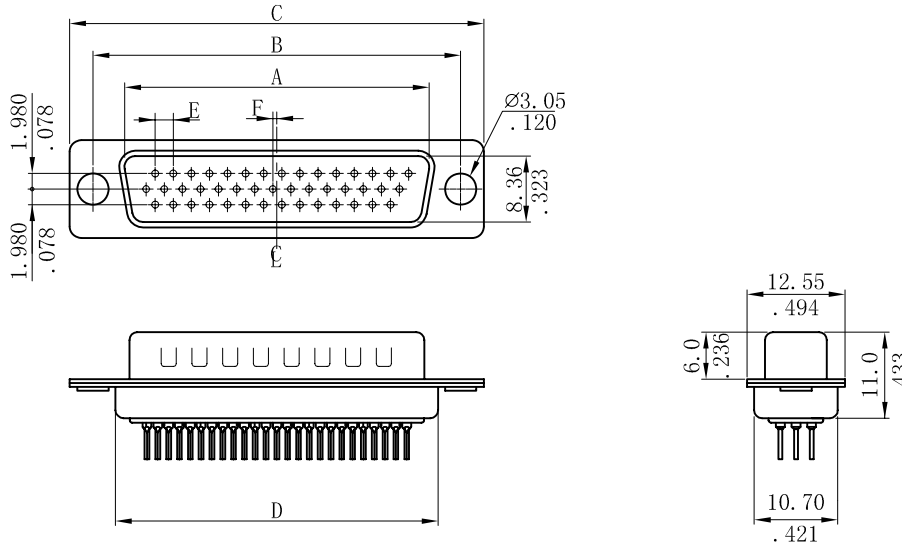
Standards



Recognized No. E82349

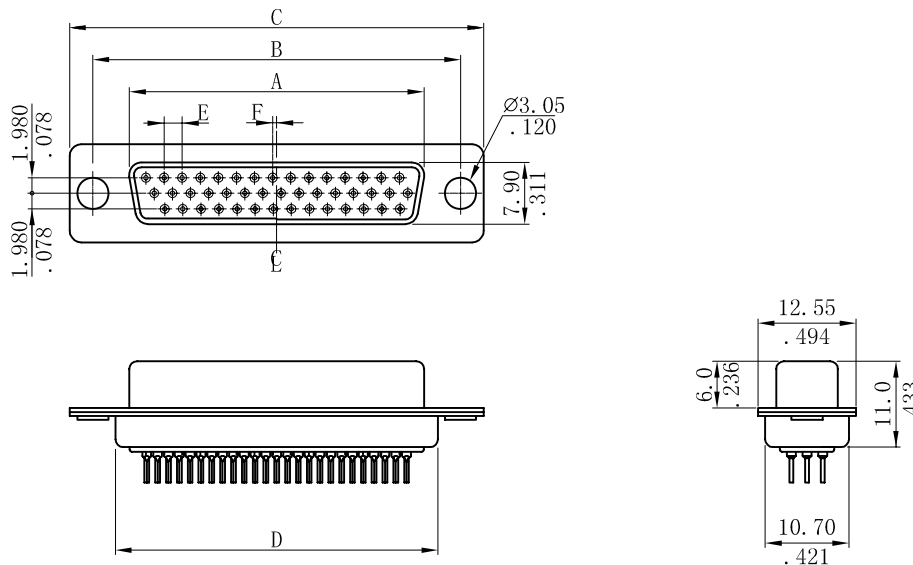


Certified No. LR65731



Dimensional & Ordering Information:

Circuits	Dimension					
	Dim. A	Dim. B	Dim. C	Dim. D	Dim. E	Dim. F
15	16.92 (.666)	24.99 (.984)	30.80 (1.213)	19.23 (.757)	2.29 (.090)	0.25 (.010)
26	25.25 (1.000)	33.32 (1.312)	39.10 (1.539)	27.56 (1.085)	2.29 (.090)	0.51 (.020)
44	38.96 (1.534)	47.04 (1.852)	53.00 (2.087)	41.28 (1.625)	2.29 (.090)	0.51 (.020)
62	55.42 (2.182)	63.50 (2.500)	69.30 (2.728)	57.73 (2.273)	2.41 (.095)	0.58 (.023)



Dimensional & Ordering Information:

Circuits	Dimension					
	Dim. A	Dim. B	Dim. C	Dim. D	Dim. E	Dim. F
15	16.33 (.643)	24.99 (.984)	30.80 (1.213)	19.23 (.757)	2.29 (.090)	0.25 (.010)
26	24.66 (0.971)	33.32 (1.312)	39.10 (1.539)	27.56 (1.085)	2.29 (.090)	0.51 (.020)
44	38.38 (1.511)	47.04 (1.852)	53.00 (2.087)	41.28 (1.625)	2.29 (.090)	0.51 (.020)
62	55.84 (2.159)	63.50 (2.500)	69.30 (2.728)	57.73 (2.273)	2.41 (.095)	0.58 (.023)