

## DHPR/DHSR/9503/9504 Series



### Features

- ◆ Available in 15,26,44 and 62 circuits
- ◆ Optional #4-40 UNC hexagonal standoff or clinch nuts
- ◆ Can be used with Leoco 9503 and 9504 crimp terminal
- ◆ Insulator: Glass filled polyester UL94V-0
- ◆ Color: Black
- ◆ Contact: Brass
- ◆ Shell: Steel, tin plated as standard

### Ordering Information

DH\*R - \*\* \* C D1  
1      2 3 4 5

1. Series No.:

2. No. of circuits:

3. Contact plating:

U = Gold flash over 30~50u" nickel overall

W=15u" gold over 30~50u" nickel overall

Z=30u" gold over 30~50u" nickel overall

4. Shell plating:

C = Tin plated

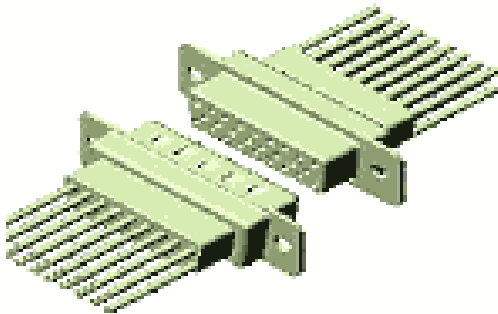
5. Variations:

D1 = Standard with 3.05mm(.012") dia. mount hole

D2 = With #4-40 UNC hexagonal standoff

T2 = With riveted #4-40 UNC clinch nuts 6mm thickness

T4 = With riveted #4-40 UNC clinch nuts 2.5mm thickness



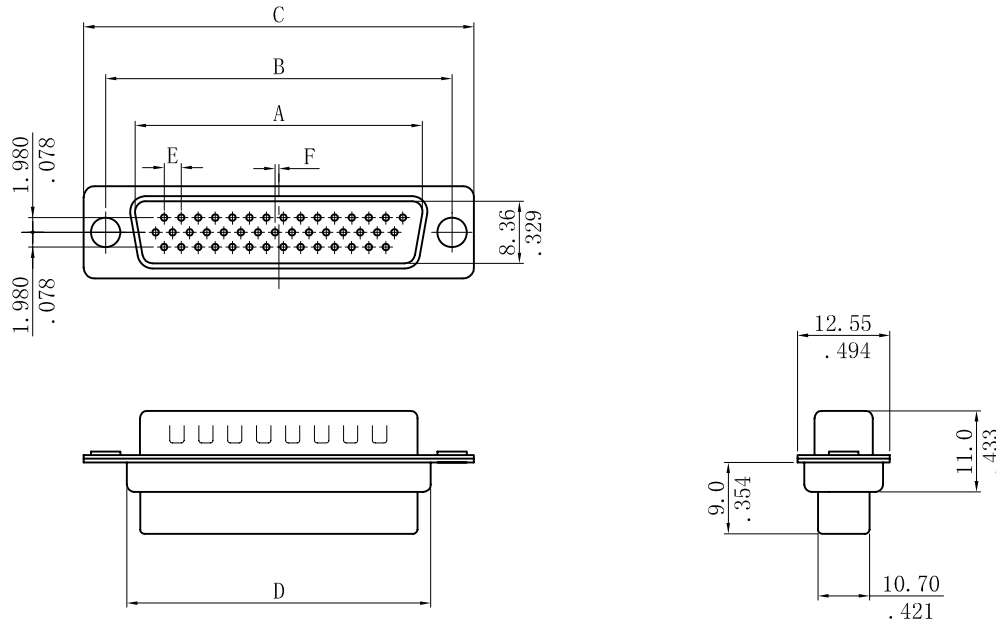
### Specifications

- ◆ Current rating: 3A AC,DC
- ◆ Voltage rating: 250V AC,DC
- ◆ Temperature rating: -25°C ~ +105°C
- ◆ Contact resistance: 20mΩ max.
- ◆ Insulation resistance: 5, 000MΩ min.
- ◆ Withstanding voltage: 1,000V AC /minute

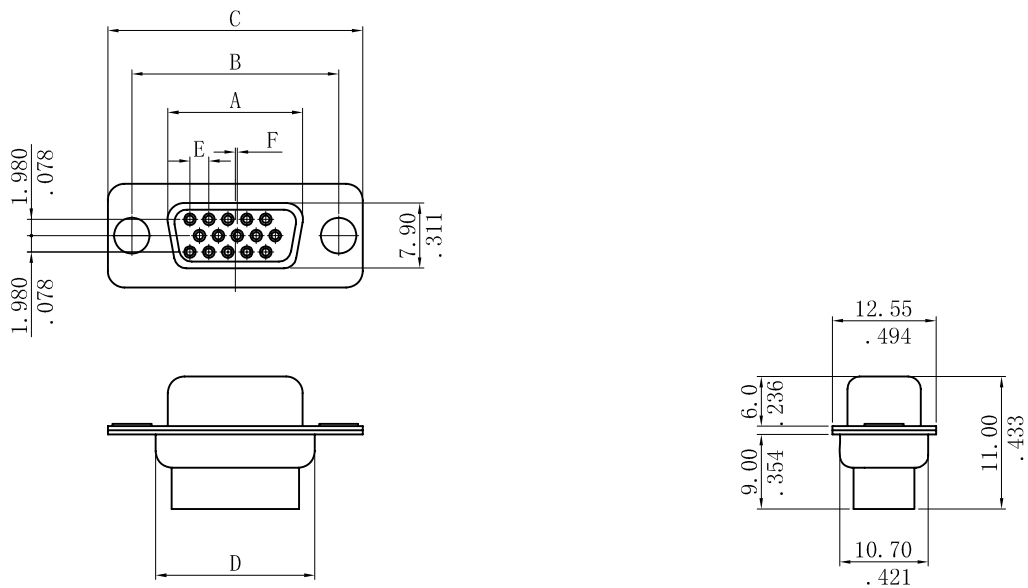
### Standards

 Recognized No. E82349

 Certified No. LR65731

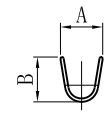
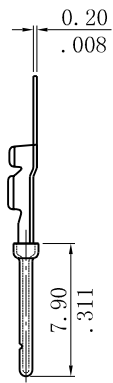
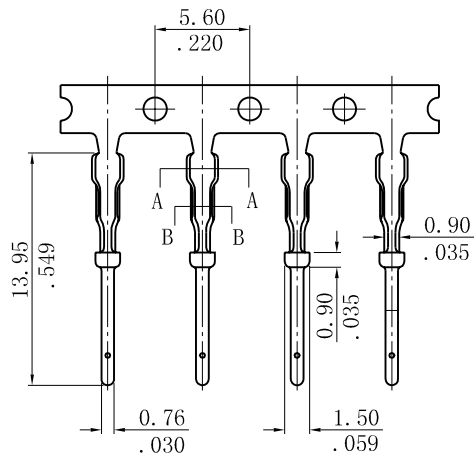


Dimension Circuits	A	B	C	D	E	F
15	16.92 (.666)	24.99 (.984)	30.80 (1.213)	19.23 (.757)	2.29 (.090)	0.25 (.010)
26	25.25 (.994)	33.32 (1.312)	39.10 (1.539)	27.56 (1.085)	2.29 (.090)	0.51 (.020)
44	38.96 (1.534)	47.04 (1.852)	53.00 (2.087)	41.28 (1.625)	2.29 (.090)	0.51 (.020)
62	55.42 (2.182)	63.50 (2.500)	69.30 (2.728)	57.73 (2.273)	2.41 (.095)	0.58 (.023)

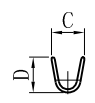


Dimension Circuits	A	B	C	D	E	F
15	16.92 (.666)	24.99 (.984)	30.80 (1.213)	19.23 (.757)	2.29 (.090)	0.25 (.010)
26	25.25 (.994)	33.32 (1.312)	39.10 (1.539)	27.56 (1.085)	2.29 (.090)	0.51 (.020)
44	38.96 (1.534)	47.04 (1.852)	53.00 (2.087)	41.28 (1.625)	2.29 (.090)	0.51 (.020)
62	55.42 (2.182)	63.50 (2.500)	69.30 (2.728)	57.73 (2.273)	2.41 (.095)	0.58 (.023)

Wire Range: AWG 24~30  
 Reel Q`ty: 10,000pcs



SECTION A-A



SECTION B-B

DIMENSION TYPE	A±0.15	B±0.15	C±0.15	D±0.15
AWG #24	2.38 (.094)	2.14 (.084)	1.50 (.059)	1.50 (.059)
AWG #26	2.00 (.079)	2.00 (.079)	1.70 (.067)	1.30 (.051)
AWG #30	1.80 (.071)	1.65 (.065)	1.34 (.053)	1.30 (.051)

# 9504

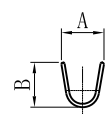
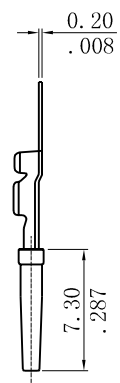
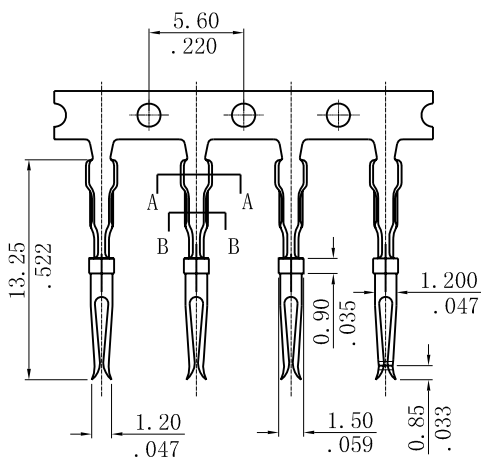
Crimp Terminal



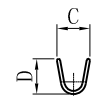
9504TPB\*000

Wire Range: AWG 26~30  
 Reel Q`ty: 10,000pcs

t:  $\frac{\text{mm}}{\text{inch}}$



SECTION A-A



SECTION B-B

DIMENSION TYPE	A±0.38	B±0.15	C±0.15	D±0.15	R1	R2
AWG #26	2.00 (.079)	2.00 (.079)	1.70 (.067)	1.30 (.051)	R0.75 (.030)	R0.30 (.012)
AWG #30	1.85 (.073)	1.60 (.063)	1.34 (.053)	1.50 (.059)	R0.45 (.018)	R0.45 (.018)