

DHPL/DHSL Series



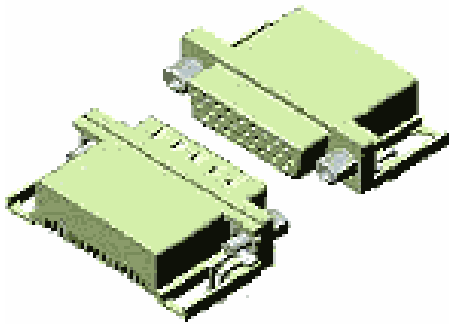
Features

- ◆ Available in 15,26,44 and 62 circuits
- ◆ Full rear insulation cover
- ◆ Other options with hexagonal female screwlocks are available
- ◆ Available with ground strap or retaining clip ground strap
- ◆ Insulator: UL94V-0 PBT.
- ◆ Color: Black
- ◆ Contact: Brass
- ◆ Shell: Steel, tin plated as standard

Ordering Information

DHPL - 15 U N L2
1 2 3 4 5

1. Series No.:
2. No. of circuits:
3. Contact plating:
 - U = Gold flash over 30~50 μ " nickel overall
 - W = 15 μ " gold over 30~50 μ " nickel overall
 - Z = 30 μ " gold over 30~50 μ " nickel overall
 - F = Selective gold flash over 30~50 μ " nickel overall
 - J = 15 μ " selective gold plated over 30~50 μ " nickel overall
 - K = 30 μ " selective gold plated over 30~50 μ " nickel overall
4. Female screwlock variations:
 - C = Assembled type with standard #4-40 UNC female screwlocks
 - R = Riveted with #4-40 UNC flush insert
Without female screwlocks
 - N = Riveted with #4-40 UNC flush insert then preloaded
With #4-40UNC hexagonal female screwlocks
5. Ground fixture variations:
 - L1 = With standard #4-40 UNC ground strap
 - L2 = With standard retaining clip ground strap
 - L4 = With standard double retaining clip ground strap



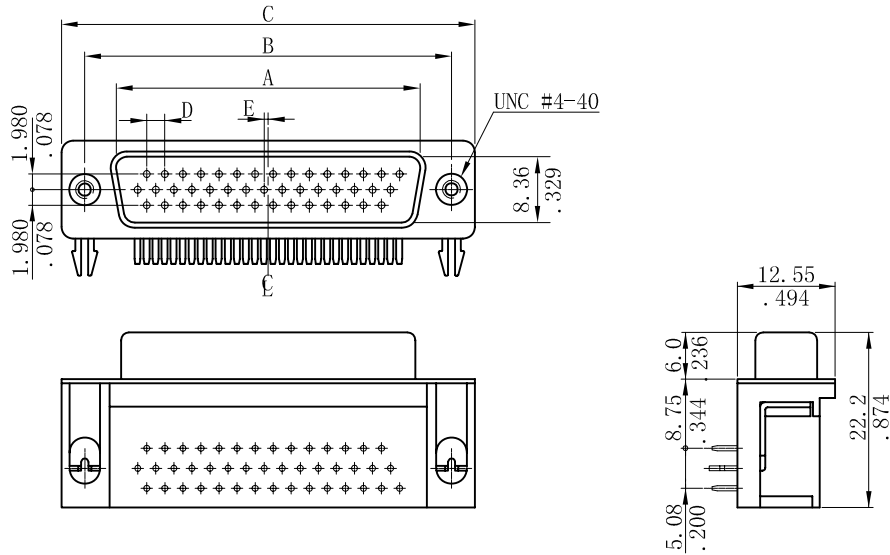
Specifications

- ◆ Current rating: 3A AC,DC
- ◆ Voltage rating: 250V AC,DC
- ◆ Temperature rating: -25 $^{\circ}$ C ~ +105 $^{\circ}$ C
- ◆ Contact resistance: 20m Ω max.
- ◆ Insulation resistance: 5,000M Ω min.
- ◆ Withstanding voltage: 1,000V AC /minute

Standards

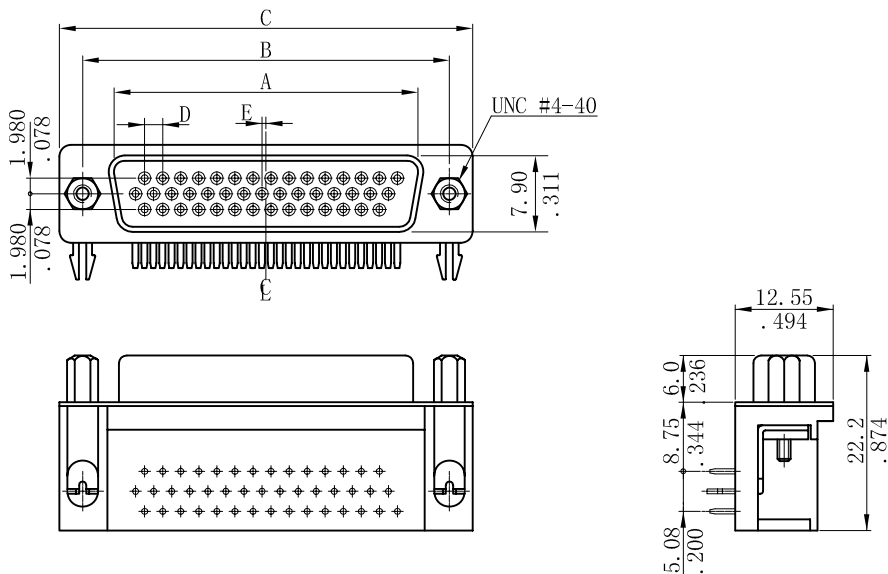
 Recognized No. E82349

 Certified No. LR65731



Dimensional & Ordering Information:

Circuits	Dimension				
	Dim. A	Dim. B	Dim. C	Dim. D	Dim. E
15	16.92 (.666)	24.99 (.984)	30.80 (1.213)	2.29 (.090)	0.25 (.010)
26	25.25 (.994)	33.32 (1.312)	39.10 (1.539)	2.29 (.090)	0.51 (.020)
44	38.96 (1.534)	47.04 (1.852)	53.00 (2.087)	2.29 (.090)	0.51 (.020)
62	55.42 (2.182)	63.50 (2.500)	69.30 (2.728)	2.41 (.095)	0.58 (.023)



Dimensional & Ordering Information:

Circuits	Dimension					
	Dim. A	Dim. B	Dim. C	Dim. D	Dim. E	Dim. F
15	16.33 (.643)	24.99 (.984)	30.80 (1.213)	19.23 (0.757)	2.29 (.090)	0.25 (.010)
26	24.66 (.971)	33.32 (1.312)	39.10 (1.539)	27.56 (1.085)	2.29 (.090)	0.51 (.020)
44	38.38 (1.511)	47.04 (1.852)	53.00 (2.087)	41.28 (1.625)	2.29 (.090)	0.51 (.020)
62	55.84 (2.159)	63.50 (2.500)	69.30 (2.728)	57.73 (2.273)	2.41 (.095)	0.58 (.023)