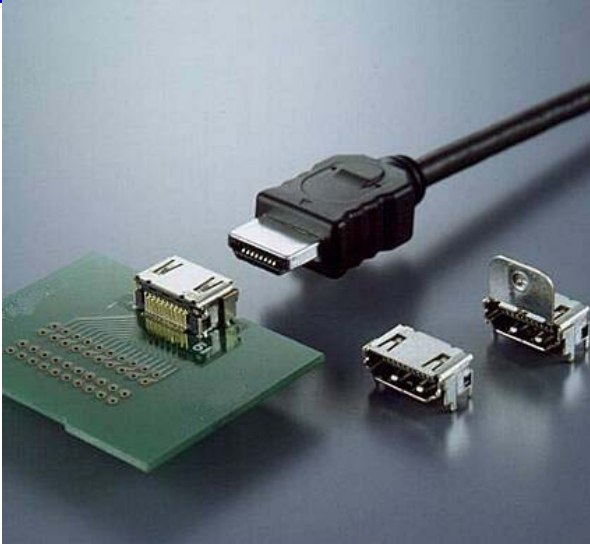


8500 Series



Features

◆ 8500 Socket:

Insulator: LCP or PA46, UL 94V-0

Contact: Brass or phosphor bronze

Shell: Steel

Contact plating: Selective gold over nickel plated

Shell plating: Tin or nickel plated

Mate with Leoco 8500 plug

◆ 8500 plug:

Insulator: LCP or PA46, UL 94V-0

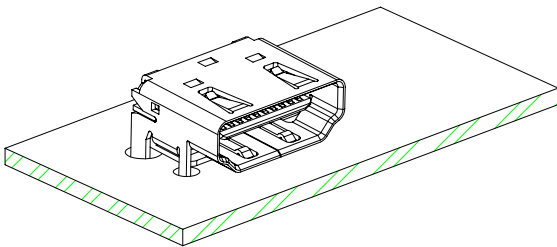
Contact: brass or phosphor bronze

Shell: steel

Contact plating: Selective gold over nickel plated

Shell plating: Tin or nickel plated

Mate with Leoco 8500 socket



Specifications

◆ Current rating: 1.0A AC,DC

◆ Voltage rating: 30V AC,DC

◆ Temperature rating: -25°C to +85°C

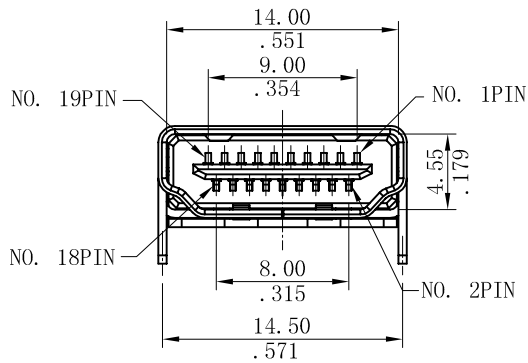
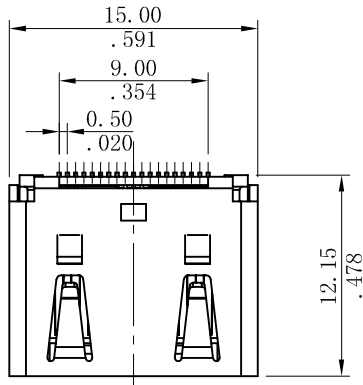
◆ Contact Resistance: 20mΩ Max.

◆ Insulation Resistance: 1,000MΩ Min.

◆ Dielectric voltage: 750V at 1 minute

HDMITM
HIGH-DEFINITION MULTIMEDIA INTERFACE

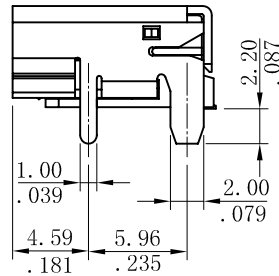
8500S19JT10



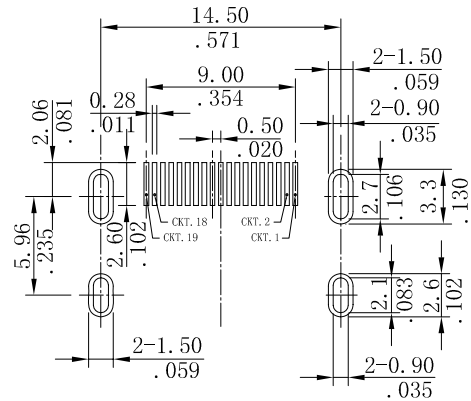
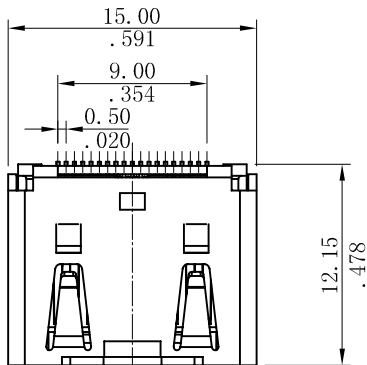
Ordering Information:

8500 S 19 J T 1 0
1 2 3 4 5 6 7

- Series No.
- S: Socket
- No. of circuits
- Plating
J=Selective 15u" gold over 30~50u" nickel overall
K=Selective 30u" gold over 30~50u" nickel overall
- T=Ground terminal is through hole type
M=Ground terminal is SMT type
- Color:
0=White
1=Black
- 0=Normal
1=With ear

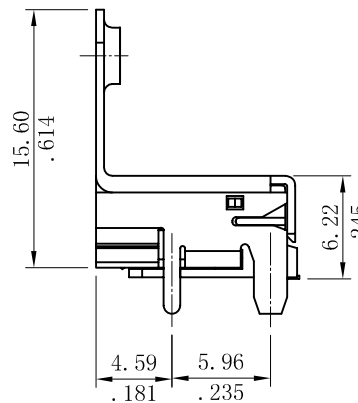
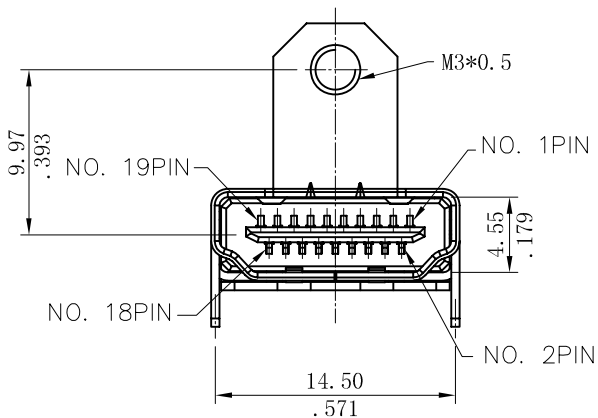


8500S19JT11

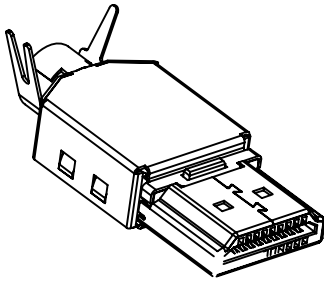


Recommended PCB Pattern

TOP VIEW



8500P19JX12



Ordering Information:

8500 P 19 J X 1 2
1 2 3 4 5 6 7

1. Series No.
2. P: Plug
3. No. of circuits
4. Plating
 J=Selective 15u" gold over 30~50u" nickel overall
 K=Selective 30u" gold over 30~50u" nickel overall
5. X: Plug of wire
6. Color:
 0=White
 1=Black
7. Special option
 2=Assembled product for cable

