

7500/7501/7502 Series



Features

◆ 7500 Housing:

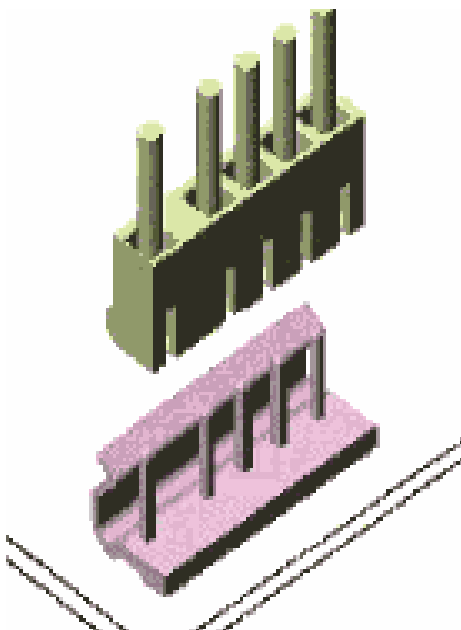
- Available in 2 through 15 circuits
- Polarized with locking ramp
- Nylon 6/6 UL94V-0
- Accepts Leoco 3979 and 3983 crimp terminal
- Mates with Leoco 7501 and 7502 and Header

◆ 7501 and 7502 Header

- Available in 2 through 15 circuits
- Polarization molded friction lock
- Pin length and plating options are available
- 7501,7502 : Nylon 6/6 UL94V-0
- 1.14mm(.045") square pin
- Mates with Leoco 7500 socket

Specifications

- ◆ Current rating: 5A AC,DC
- ◆ Voltage rating: 250V AC,DC
- ◆ Temperature rating: -25°C ~ +105°C
- ◆ Contact resistance:
 - Initial: 20mΩ max.
 - After environmental test:40mΩ max.
- ◆ Insulation resistance:
 - Initial:1,000MΩ min.
 - After humidity and thermal shock test:500MΩ min.
- ◆ Withstanding voltage: 1,500V AC /minute
- ◆ Applicable wire: AWG 18 to 24
- ◆ Applicable PC board thickness: 1.6mm



Standards



Recognized No. E82349



Certified No. LR65731

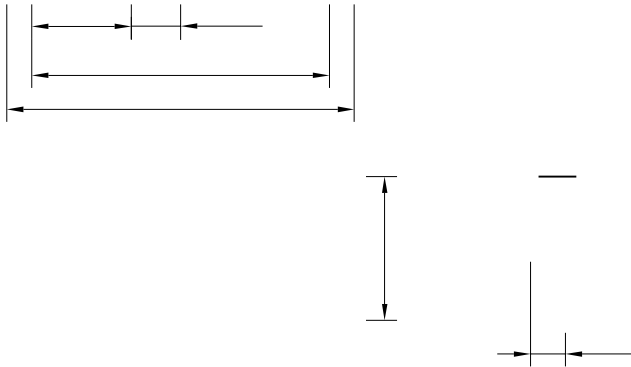


Licensed No. R50017143

Ordering Information:

Unit: $\frac{\text{mm}}{\text{inch}}$

7500S ** 0013
 $\frac{1}{1}$
 1.No. of Circuits



7501/7502

Series 7.50-5.00mm (.295"- .197") Straight/Right Angle Header

Ordering Information:

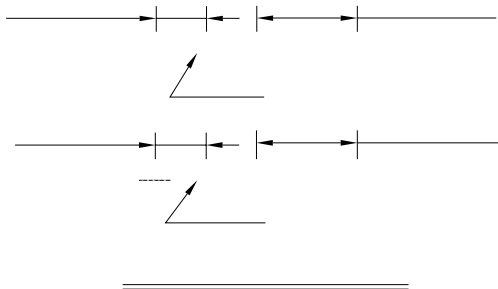
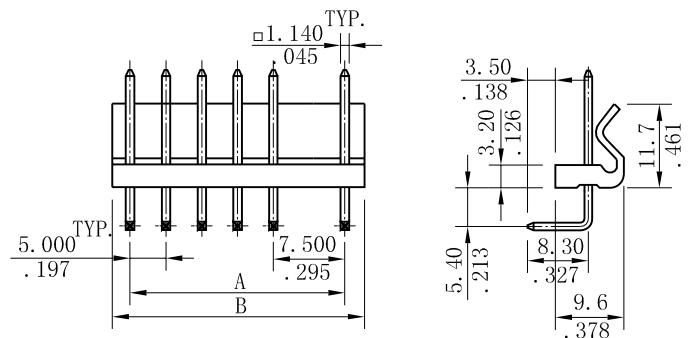
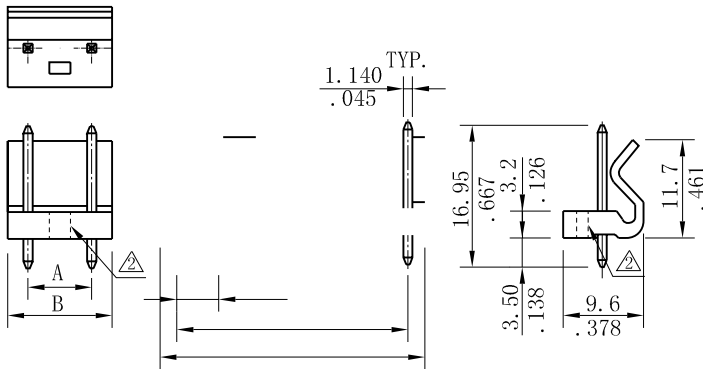
Unit: $\frac{\text{mm}}{\text{inch}}$

7501P ** 0013
 $\frac{1}{1}$
 1.No. of Circuits

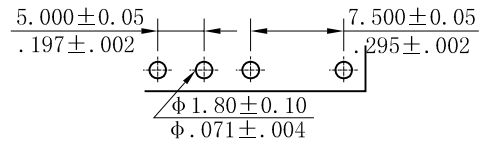
Ordering Information:

7502P ** 0013
 $\frac{1}{1}$
 1.No. of Circuits

Slot for 2 circuits only



For square pin



RECOMMENDED HOLE PATTERN

			12.5 (.492)
7501P030013	7501P030R13		17.5 (.689)
7501P040013	7501P040R13		22.5 (.886)
7501P050013	7501P050R13		27.5 (1.083)
7501P060013	7501P060R13		32.5 (1.280)
7501P070013	7501P070R13		37.5 (1.476)
7501P080013	7501P080R13		42.5 (1.673)
7501P090013	7501P090R13		47.5 (1.870)
7501P100013	7501P100R13		52.5 (2.067)
7501P110013	7501P110R13	52.50 (2.067)	57.5 (2.264)
7501P120013	7501P120R13	57.5 (2.264)	62.5 (2.461)
7501P130013	7501P130R13	62.5 (2.461)	67.5 (2.657)
7501P140013	7501P140R13	67.5 (2.657)	72.5 (2.854)
7501P150013	7501P150R13	72.5 (2.854)	77.5 (3.051)

CIRCUITS	PART NO.	DIMENSION	
		Dim. A	Dim. B
2	7502P020013	7.50 (.295)	12.5 (.492)
3	7502P030013	12.50 (.492)	17.5 (.689)
4	7502P040013	17.50 (.689)	22.5 (.886)
5	7502P050013	22.50 (.886)	27.5 (1.083)
6	7502P060013	27.50 (1.083)	32.5 (1.280)
7	7502P070013	32.50 (1.280)	37.5 (1.476)
8	7502P080013	37.50 (1.476)	42.5 (1.673)
9	7502P090013	42.50 (1.673)	47.5 (1.870)
10	7502P100013	47.50 (1.870)	52.5 (2.067)
11	7502P110013	52.5 (2.067)	57.5 (2.264)
12	7502P120013	57.5 (2.264)	62.5 (2.461)
13	7502P130013	62.5 (2.461)	67.5 (2.657)
14	7502P140013	67.5 (2.657)	72.5 (2.854)
15	7502P150013	72.5 (2.854)	77.5 (3.051)