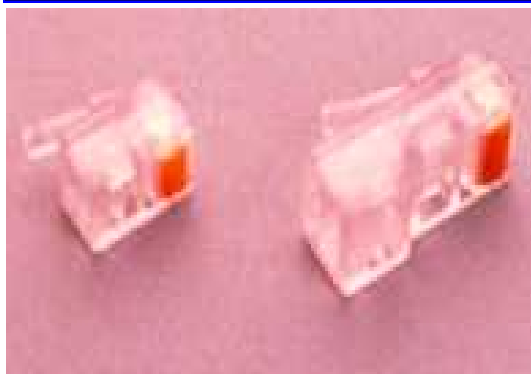
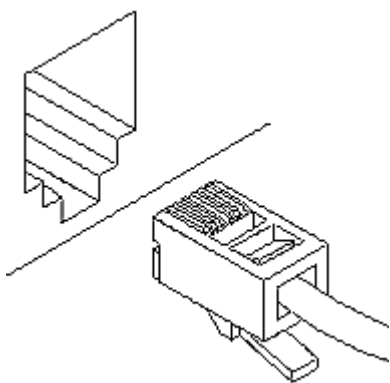


6611 Series



Features

- ◆ Insulation pierce contact method
- ◆ Selective gold plating
- ◆ Pre inserted contacts
- ◆ Contact: Phosphor bronze
- ◆ Housing: Polycarbonate UL94V-0



Specifications

- ◆ Current rating: 1.5A AC,DC
- ◆ Voltage rating: 125V AC,DC
- ◆ Temperature rating: -25°C ~ +105°C
- ◆ Contact resistance:
 - Initial: 20mΩ max.
 - After environmental test:40mΩ max.
- ◆ Insulation resistance:
 - Initial:1,000MΩ min.
 - After humidity and thermal shock test:500MΩ min.
- ◆ Withstanding voltage: 500V AC /minute
- ◆ Applicable wire :AWG 26

Standards

 Recognized No. E148308

Ordering Information:

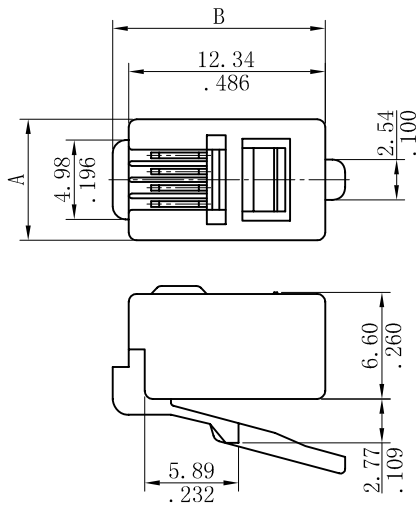
6611 - $\frac{****}{1} \frac{*}{2} 0$

- Contact arrangement
 - 0402= 4 positions 2 contacts
 - 0404= 4 positions 4 contacts
 - 0602= 6 positions 2 contacts
 - 0604= 6 positions 4 contacts
 - 0606= 6 positions 6 contacts
 - 0808= 8 positions 8 contacts
 - 1010= 10 positions 10 contacts

2. Plating:

U=Gold flash over 30~50 u"nickel overall
 W=15 u"gold over 30~50 u"nickel overall
 Z=30 u"gold over 30~50 u"nickel overall
 G=50 u"gold over 30~50 u"nickel overall

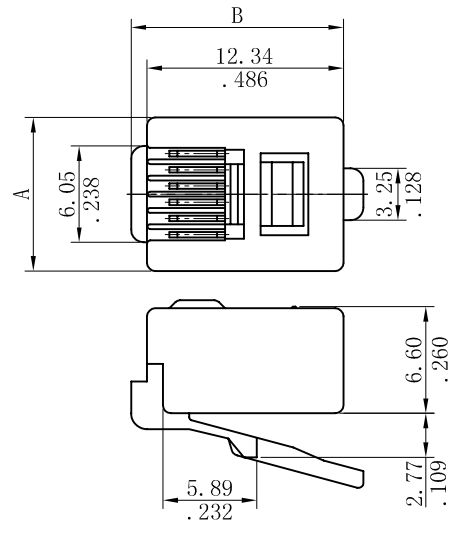
P/N: 6611-040**0



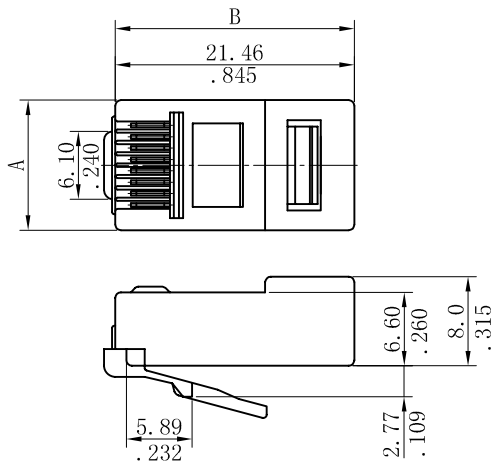
Dimensional & Ordering Information:

Position	Dim. A	Dim. B
04	7.62 (.300)	13.34 (.525)
06	9.65 (.380)	13.34 (.525)
08	11.68 (.460)	22.46 (.884)
10	11.68 (.460)	22.46 (.884)

P/N: 6611-060**0



P/N: 6611-080**0



P/N: 6611-1010*0

