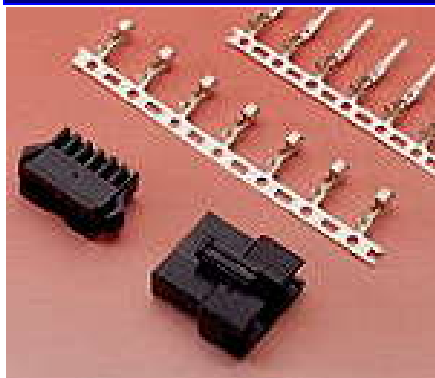


5700/5713/5714 Series

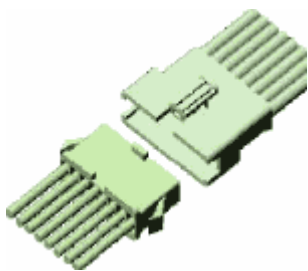


Features

- ◆ Available in 2 through 12 circuits
- ◆ Nylon 6/6 UL94V-0
- ◆ Color: black & white
- ◆ Accepts Leoco 5713 and 5714 crimp terminal
- ◆ 5700F mate with 5714
- ◆ 5700M mate with 5713

Specifications

- ◆ Current rating: 3A AC,DC
- ◆ Voltage rating: 250V AC,DC
- ◆ Temperature rating: -25°C ~ +85°C
- ◆ Contact resistance:
 - Initial: 20mΩ max.
 - After environmental test: 40mΩ max.
- ◆ Insulation resistance:
 - Initial: 1,000MΩ min.
 - After humidity and thermal shock test: 500MΩ min.
- ◆ Withstanding voltage: 1,000V AC /minute
- ◆ Applicable wire: AWG 22 to 28
- ◆ Applicable PC board thickness: 1.6mm

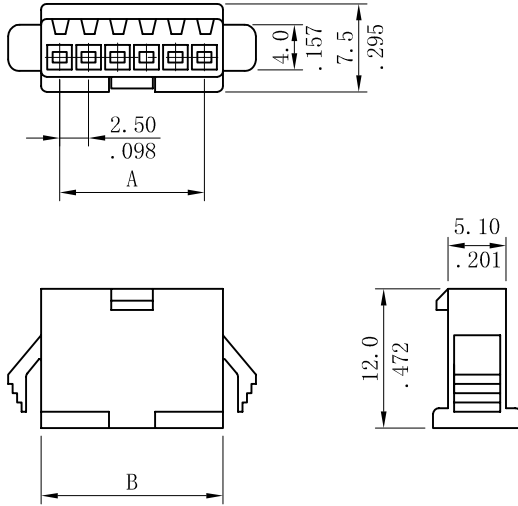


Standards

 Recognized No. E82349

Ordering Information:

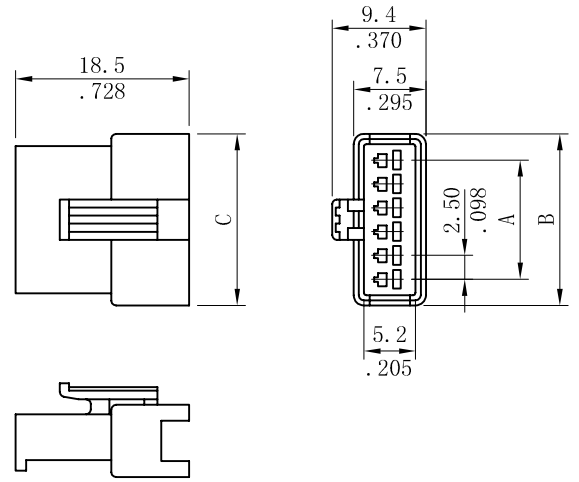
5700S ** F000
1
1. No. of Circuits



A=2.50mm (.098") *No. of spaces
B=A+3.0mm (.118")

Ordering Information:

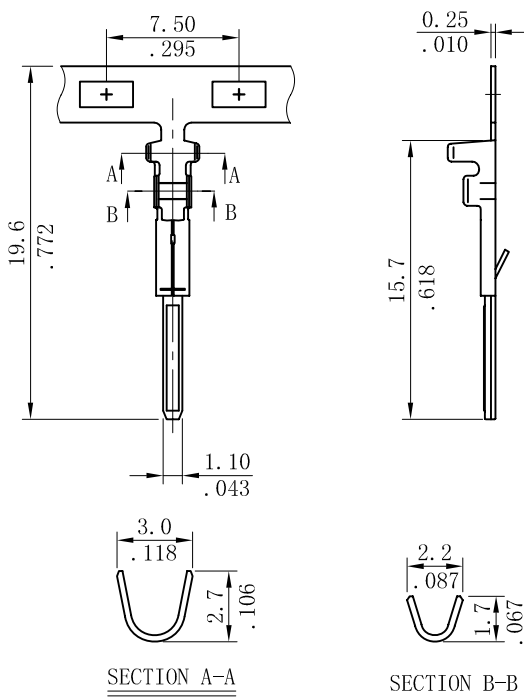
5700S ** M000
1
1. No. of Circuits



A=2.50mm (.098") *No. of spaces
B=A+3.1mm (.122")
C=A+5.6mm (.220")

Ordering Information:

5713TPB0000
Material: Phosphor Bronze
Wire Range: AWG 22 ~ 28
Reel Q`ty: 7,000pcs



Ordering Information:

5714TPB0000
Material: Phosphor Bronze
Wire Range: AWG 22 ~ 28
Reel Q`ty: 5,000pcs

