

## 4000/4003/4004 Series

### Features

#### ◆ 4000 Housing

Available in 2 through 4 circuits

Material: Nylon 6/6 UL94V-0

4000F mate with 4004 terminal or 4000 header

4000M mate with 4003 terminal

#### ◆ 4003/4004 Terminal:

Material: Phosphor Bronze

Accommodate wire range AWG 22 through 28

4003 terminal use in Leoco 4000M series socket

4004 terminal use in Leoco 4000F series socket

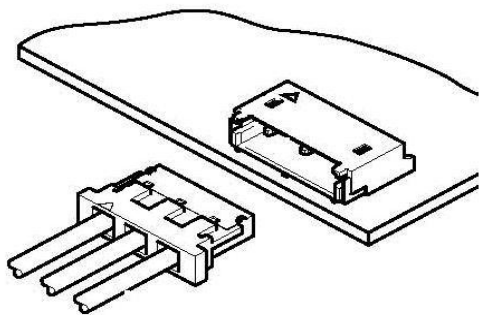
#### ◆ 4000 Header

Available in 2 through 4 circuits

Material: Nylon 6T, UL94V-0

0.50mm(.020") square pin

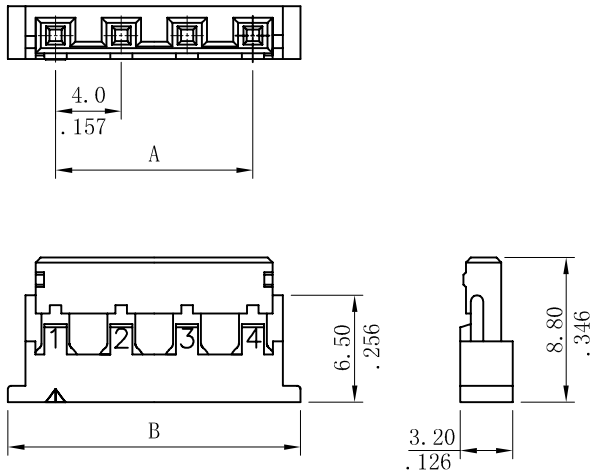
Mates with Leoco 4000F socket



### Specifications

- ◆ Current rating: 1A AC,DC
- ◆ Voltage rating: 600V AC,DC
- ◆ Temperature rating: -25°C ~ +85°C
- ◆ Contact resistance: 20mΩ max.
- ◆ Insulation resistance: 1,000MΩ min.
- ◆ Withstanding voltage: 1,800V AC /minute
- ◆ Applicable wire: AWG 22 to 28

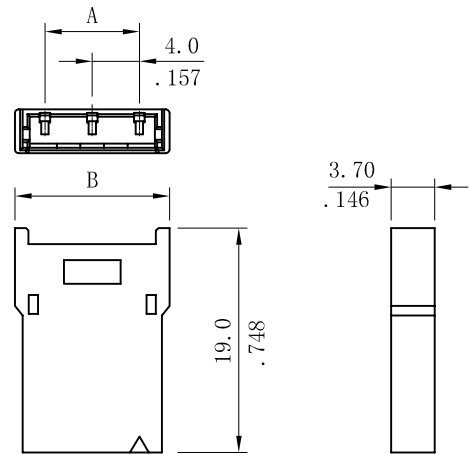
4000S\*\*F000



A=4.0mm (.157") \*No. of spaces

B=A+5.8mm (.228")

4000S\*\*M000



A=4.0mm (.157") \*No. of spaces

B=A+5.1mm (.200")

# 4003/4004

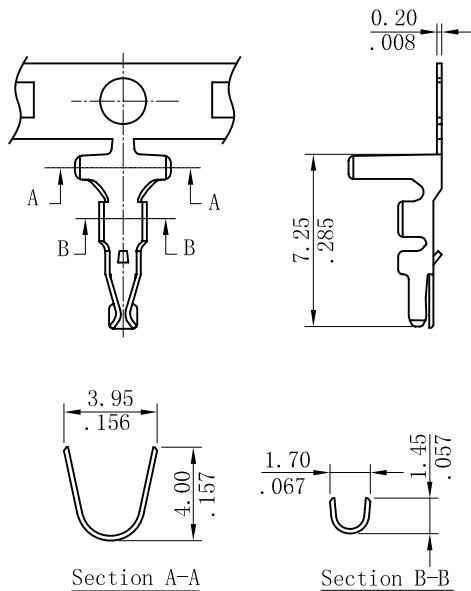
## Ordering Information:

Material: Phosphor Bronze

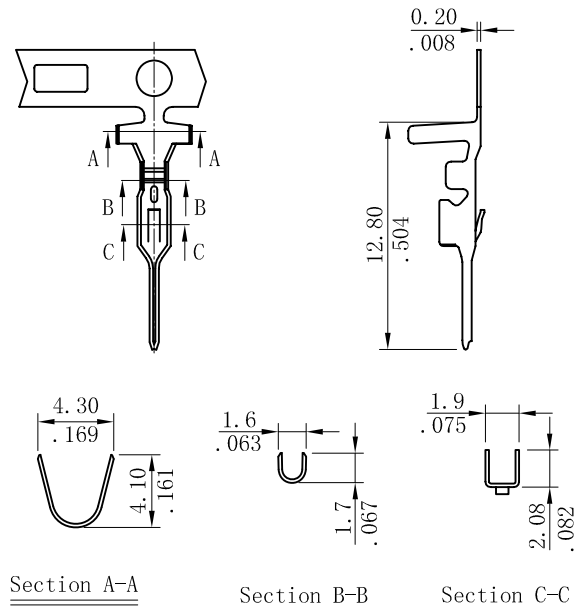
Wire Range: AWG 22 ~ 28

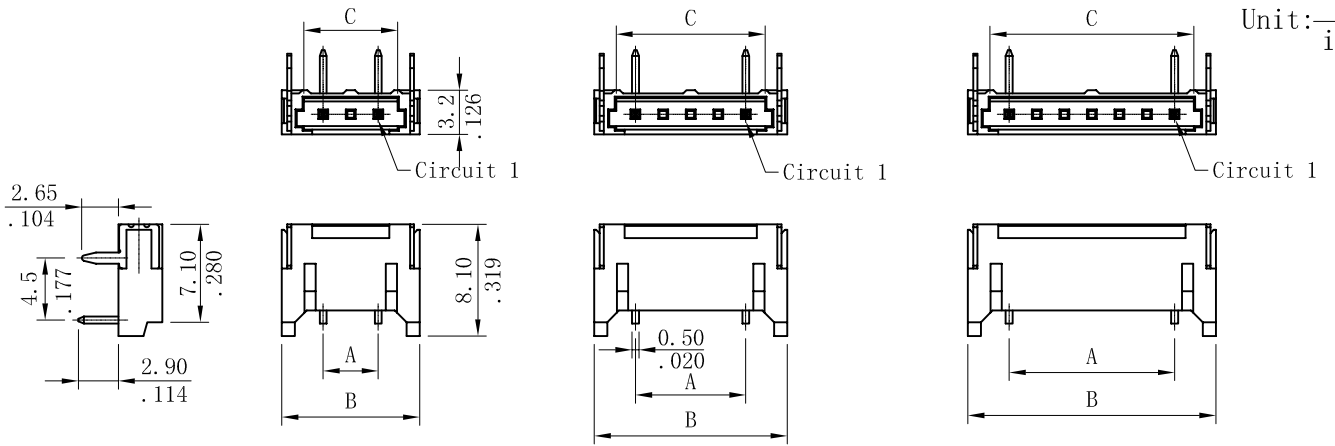
Reel Qty: 5,000pcs

4004TPB0000



4003TPB0000

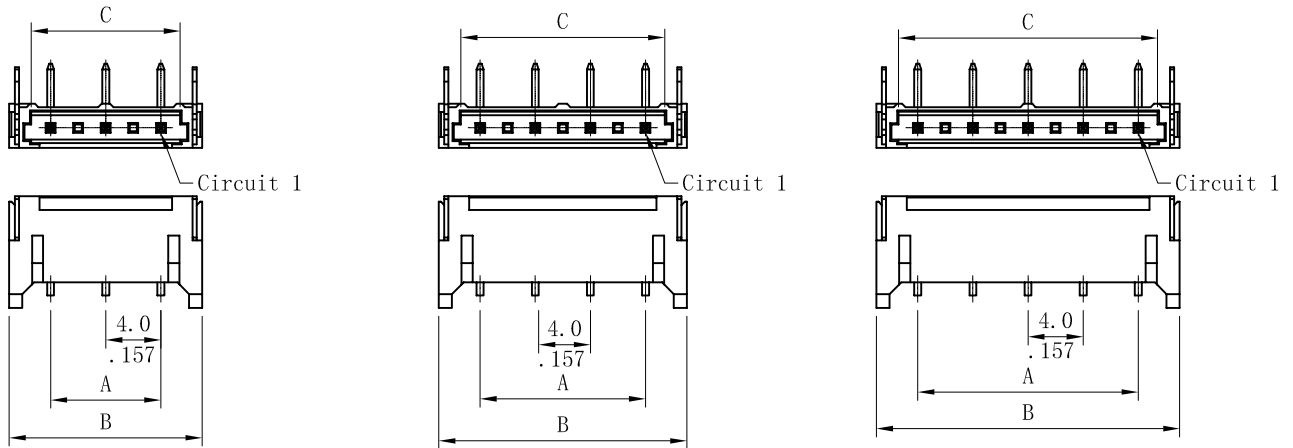




4000P02H0A0

4000P02H0B0

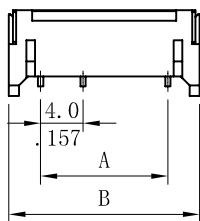
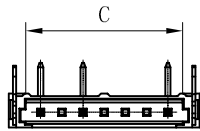
4000P02H0C0



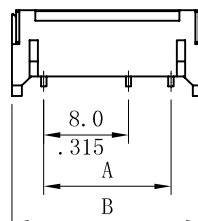
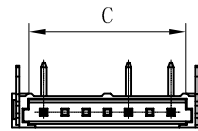
4000P03H000

4000P04H000

4000P05H000

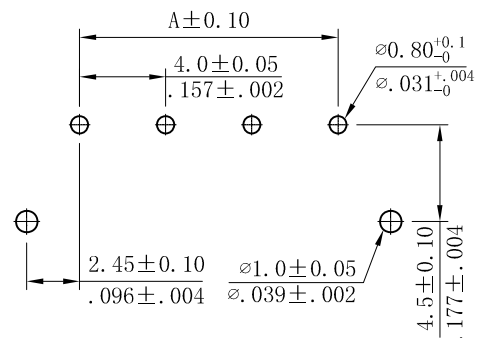


4000P04HPE5



4000P04HPE6

	Dimensions		
	A	B	C
4000P03H000			
4000P02H0A0	4.00 (.157)	10.00 (.394)	6.80 (.268)
4000P02H0B0	8.00 (.315)	14.00 (.551)	10.80 (.425)
4000P02H0C0	12.00 (.472)	18.00 (.709)	14.80 (.583)
4000P03H000	8.00 (.315)	14.00 (.551)	10.80 (.425)
4000P04H000	12.00 (.472)	18.00 (.709)	14.80 (.583)
4000P05H000	16.00 (.630)	22.00 (.866)	18.80 (.740)
4000P04HPE5	12.00 (.472)	18.00 (.709)	14.80 (.583)
4000P04HPE6	12.00 (.472)	18.00 (.709)	14.80 (.583)



RECOMMENDED PCB PATTERN

