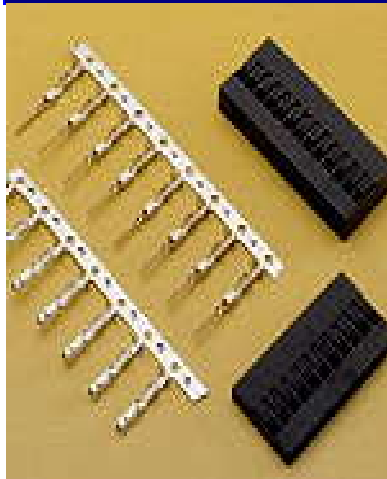


2655/2665/2653T/2663T Series 2.54mm(.100")



Features

◆ 2655 and 2665 Housing:

2655 Available in 4 through 72 circuits

2665 Available in 2 through 40 circuits

Can be used Leoco 6001 Polarizing Key

PPO UL94V-1

Color: Black

Accepts Leoco 2653,2663 crimp terminal

2655 Mates with Leoco 2558,2559,2568,2569 and 2666 header

2665 Mates with Leoco 2556,2557,2566 and 2567 header

◆ 2653 Terminal:

Twin leaf box shaped terminal

Use in Leoco 2655 and 2665 socket

Mates with 0.64mm(.025") square pin

Tin or selective gold plated

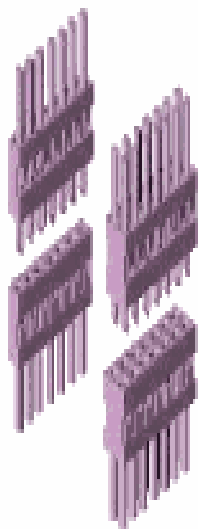
Material: Phosphor bronze

◆ 2663 Terminal:

Use in Leoco 2655 and 2665 socket

Mates with Leoco 2653 crimp terminal

Material: Pre-tinned copper alloy



Specifications

◆ Current rating: 3A DC,AC

◆ Voltage rating: 250V DC,AC

◆ Temperature rating: -25°C ~ +105°C

◆ Contact resistance:

Initial:20mΩ max.

After environmental test:40mΩ max.

◆ Insulation resistance:

Initial:1,000MΩ min.

After humidity and thermal shock test:500MΩ min.

◆ Withstanding voltage: 1,000V AC /minute

◆ Applicable wire: AWG 22 to 28

◆ Applicable PC board thickness: 1.6mm

Standards

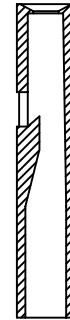
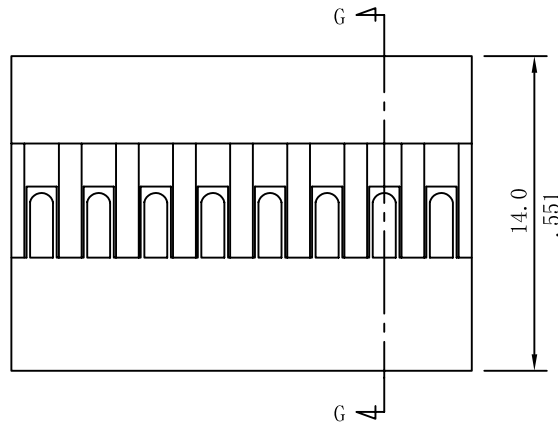
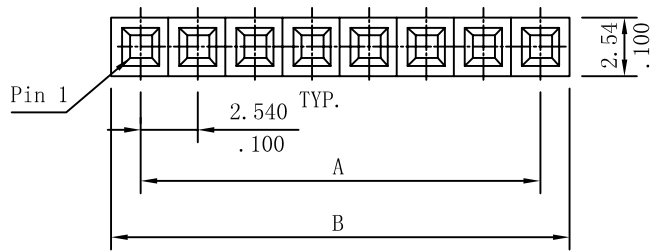
 Recognized No. E82349

Ordering Information:

2665S $\frac{**}{1}$ 0000

1.No. of Circuits

Unit: $\frac{\text{mm}}{\text{inch}}$



SECTION G-G

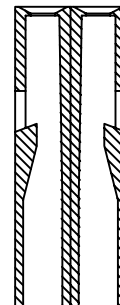
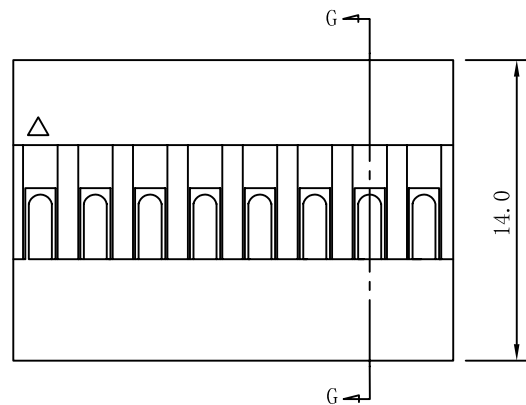
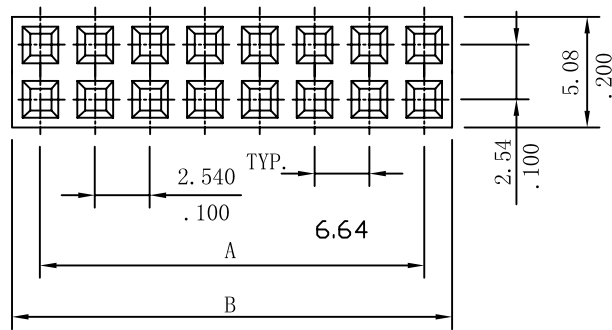
$$A = 2.54\text{mm}(.100) * \text{No. of spaces}$$
$$B = A + 2.54\text{mm}(.100)$$

Ordering Information:

2655S $\frac{**}{1}$ 0000

1.No. of Circuits

Unit: $\frac{\text{mm}}{\text{inch}}$



SECTION G-G

$$A = 2.54\text{mm}(.100) * \text{No. of spaces}$$
$$B = A + 2.54\text{mm}(.100)$$

Ordering Information:

2653TPB * 00 *
1 2

Unit: $\frac{\text{mm}}{\text{inch}}$

1. Plating:

- 0=Fin plated 120u" min. over 30~50u" nickel overall
- F=Selective gold flash over 30~50u" nickel overall
- J=15u" gold plated selective over 30~50u" nickel overall

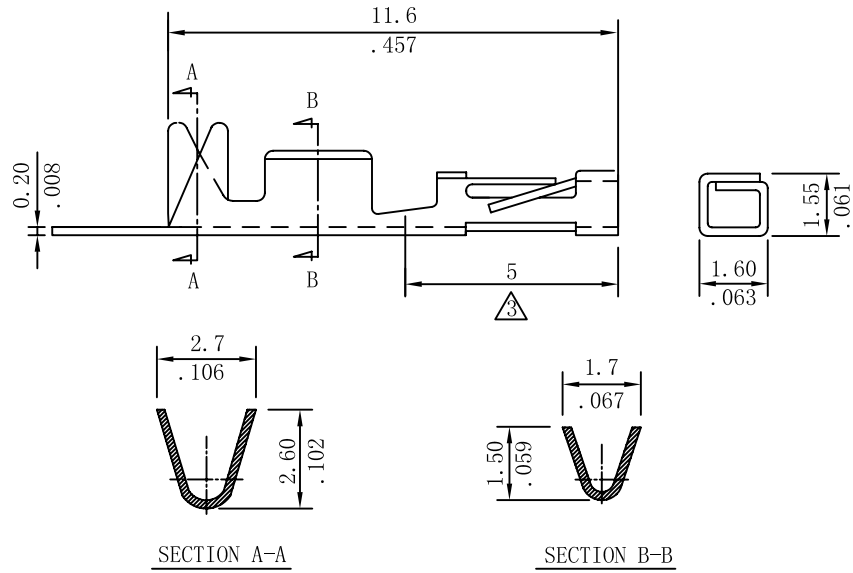
2. Circuits range

- 1=Used in between 2 circuits and 7 circuits
- 2=Used in between 8 circuits and 15 circuits
- 3=Used in between 16 circuits and 72 circuits

△ Plating area

Wire Ranges: AWG 22~28

Reel Q`ty: 8,000pcs



Ordering Information:

2663TCB0000

Wire Ranges: AWG 22~28

Reel Q`ty: 10,000pcs

Unit: $\frac{\text{mm}}{\text{inch}}$

