

2564 Series

Features

- ◆ 2564 Connector:
- ◆ Available for 6 through 80 circuits
- ◆ Nylon 6T UL94V-0
- ◆ With P.C.Board standoff
- ◆ Breakaway to desired circuits by fixture
- ◆ Accepts 0.64mm(.025") square pin
- ◆ Plating options are available
- ◆ Mates with Leoco 2556 ,2557 ,2566 and 2567 header

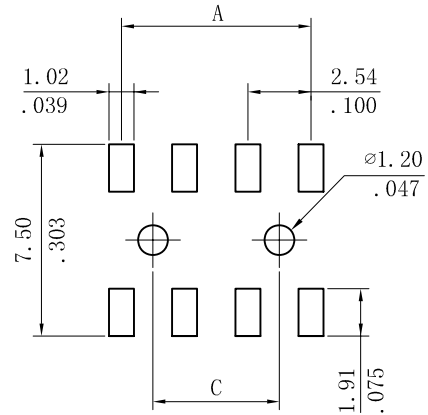
Specifications

- ◆ Current rating: 3A DC, AC
- ◆ Voltage rating: 250V DC,AC
- ◆ Temperature rating: -25°C ~ +105°C
- ◆ Contact resistance:
 - Initial:20m Ω max.
 - After environmental test:40m Ω max.
- ◆ Insulation resistance:
 - Initial:1,000M Ω min.
 - After humidity and thermal shock test:500M Ω min.
- ◆ Withstanding voltage: 1, 000V AC/minute.
- ◆ Applicable PC board thickness: 1.6mm

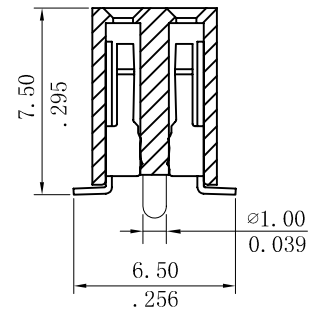
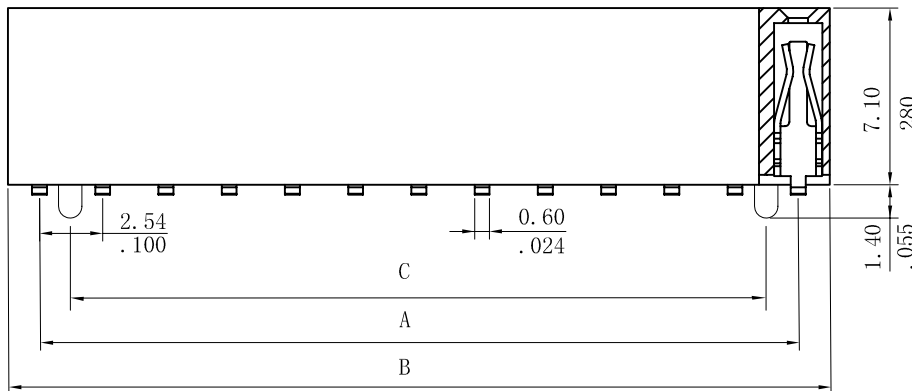
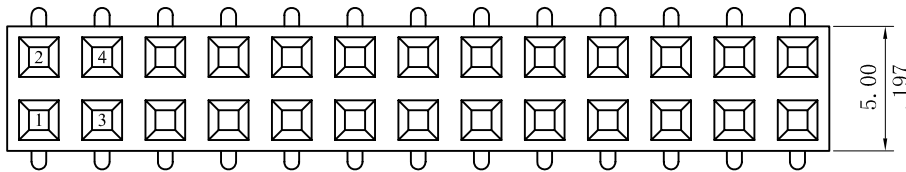
Ordering Information :

2564 S $\frac{**}{1}$ $\frac{M}{2}$ $\frac{*}{3}$ $\frac{0}{4}$ *

1. No. of Circuits
10=10 circuits
2. M=SMT Type
3. Plating :
U=Gold flash over 30~50 u"nickel overall
W=15 u" gold over 30~50 u"nickel overall
Z=30 u" gold over 30~50 u"nickel overall
4. P= With Post
W= Without post



Recommended PCB Pattern



$$A = 2.54\text{mm}(.100") * \text{No. of Spaces}$$

$$B = A + 2.54\text{mm}(.100") + 0.20\text{mm}(.008")$$

$$C = A - 2.54\text{mm}(.100")$$