

2542 Series

Features

◆ 2542 Connector:

Available in 8,14 and 24 circuits

Insulator : PBT + 30%G.F UL94V-0

Contact : Phosphor bronze or Brass

Specifications

◆ Current rating: 1A DC,AC

◆ Voltage rating: 500V DC,AC

◆ Temperature rating: -40°C ~ +105°C

◆ Contact resistance:15mΩ max.

◆ Insulation resistance:1,000MΩ min.

◆ Withstanding voltage: 500V AC /minute

Ordering Information:

Unit: $\frac{\text{mm}}{\text{inch}}$

2542S $\frac{**}{1}$ $\frac{*}{2}$ $\frac{0}{3}$ $\frac{L1}{4}$

1.No. of Circuits

2.Plating:

T=Tin plated 100u" min. over 30~50u" nickel overall

U=Selective gold plated over 30~50u"nickel overall

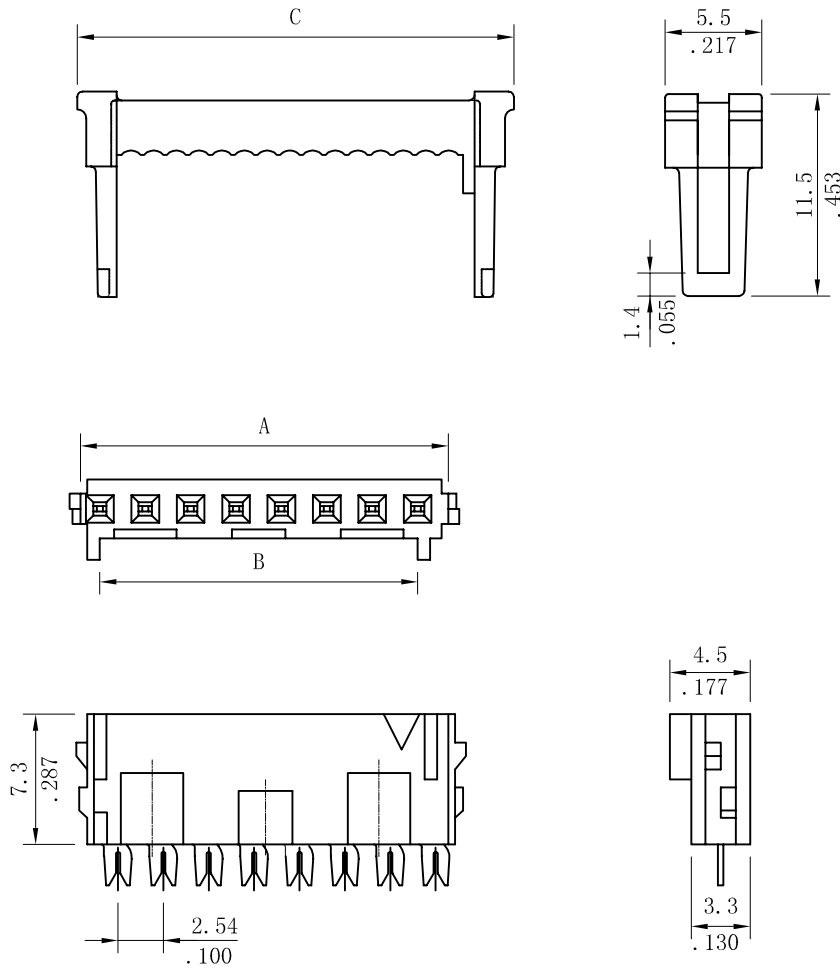
W=15u" Selective gold plated over 30~50u"nickel overall

3. Options:

0=With Key N=Without Key

4. Color:

L1=Black 09=Gray



No of contacts	DIM. A	DIM. B	DIM. C
8	19.96 (.786)	17.78 (.700)	23.80 (.937)
14	35.83 (1.411)	33.02 (1.300)	35.30 (1.390)
24	60.60 (2.386)	58.42 (2.300)	65.19 (2.567)