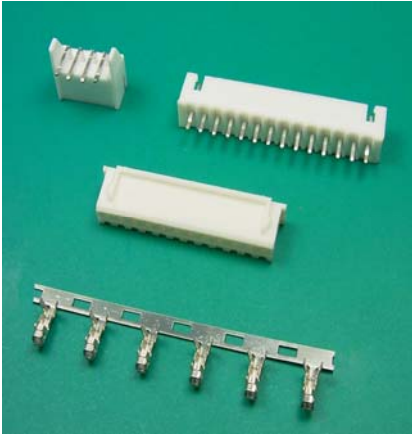


2520/2593T/2521 Series

Features



◆ 2520 Housing:

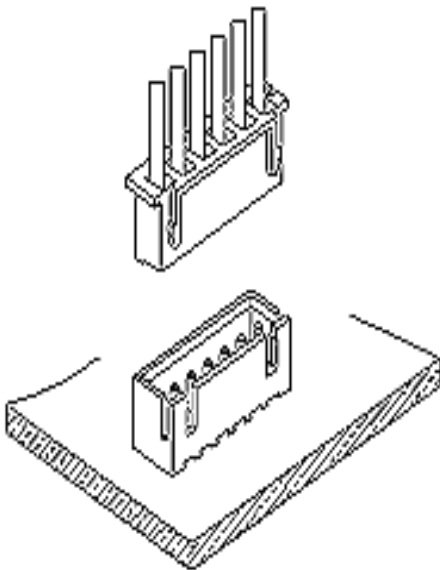
- Available in 2 through 20 circuits
- Low profile
- Polarized with locking ribs
- Nylon 6/6 UL94V-0
- Accepts Leoco 2593 crimp terminal
- Mates with Leoco 2521 straight or right angle version header

◆ 2593 Terminal:

- Dual beam contacts
- Use in Leoco 2520 series socket
- Mates with 0.64mm(.025") square pin
- Material: Pre-tinned copper alloy or phosphor bronze

◆ 2521 Header:




- Available in 2 through 20 circuits
- Low profile
- Polarization slots
- With standoffs minimize flux wicking
- Nylon 6/6 UL94V-0
- 0.64mm(.025") square pin
- Mates with Leoco 2520 socket



Specifications

- ◆ Current rating: 3A AC
- ◆ Voltage rating: 250V DC
- ◆ Temperature rating: -40°C ~ +105°C
- ◆ Contact resistance:
 - Initial: 10mΩ max.
 - After environmental test: 20mΩ max.
- ◆ Insulation resistance:
 - Initial: 1,000MΩ min.
 - After humidity and thermal shock test: 500MΩ min.
- ◆ Withstanding voltage: 1,000V AC/minute.
- ◆ Applicable wire: AWG 22 to 28
- ◆ Applicable PC board thickness: 1.6mm

Standards

-  Recognized No. E82349
-  Certified No. LR65731
-  Licensed No. R50016981

2520/2593

Series 2.50mm(.098")Crimp Type Socket/Crimp Terminal



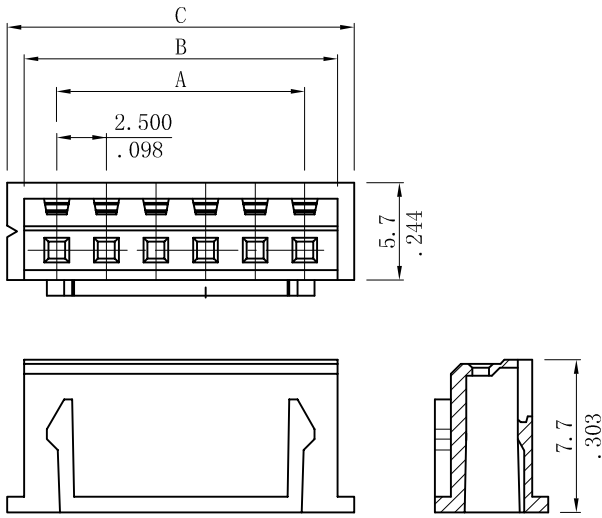
Ordering Information:

2520S ** 0000
 $\frac{1}{1}$
 1.No. of Circuits

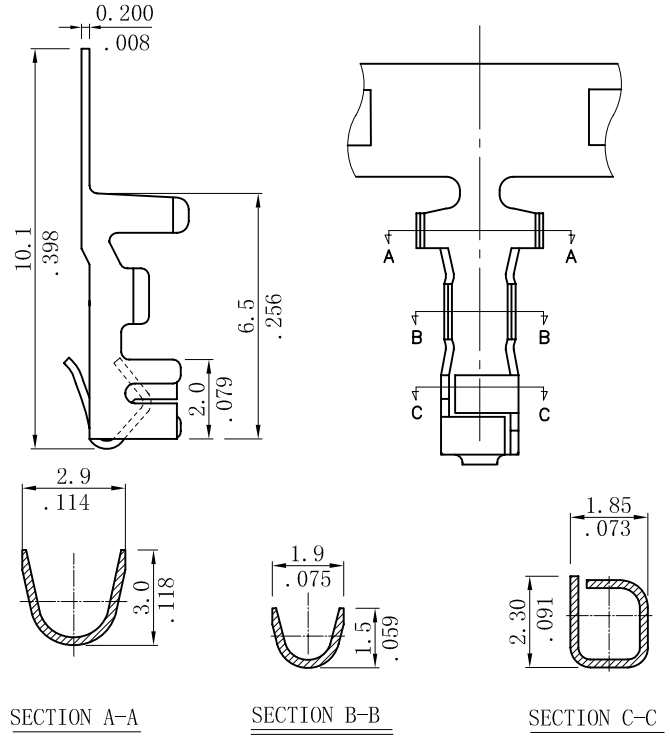
Ordering Information:

2593TPB0000
 Wire Range: AWG 22~28
 Reel Qty: 8,000pcs

Unit: $\frac{\text{mm}}{\text{inch}}$



A=2.50mm(.098")*No. of spaces
 B=A+3.3mm(.130")
 C=A+5.0mm(.197")



2521

Series 2.50mm(.098")Header

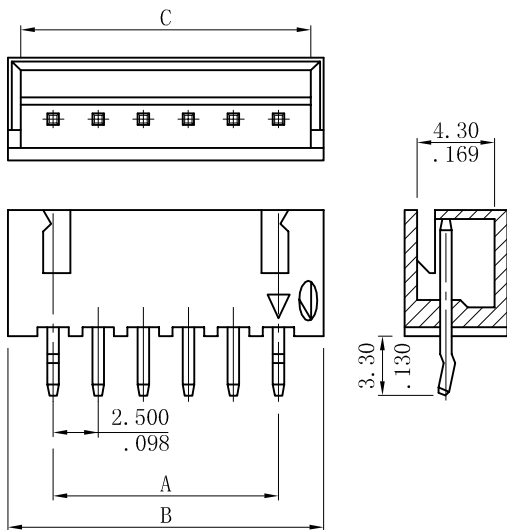


Ordering Information:

2521P ** * 000
 $\frac{1}{2}$
 1.No. of Circuits
 2.V : Straight Type
 H : Right Angle Type

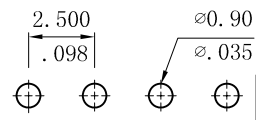
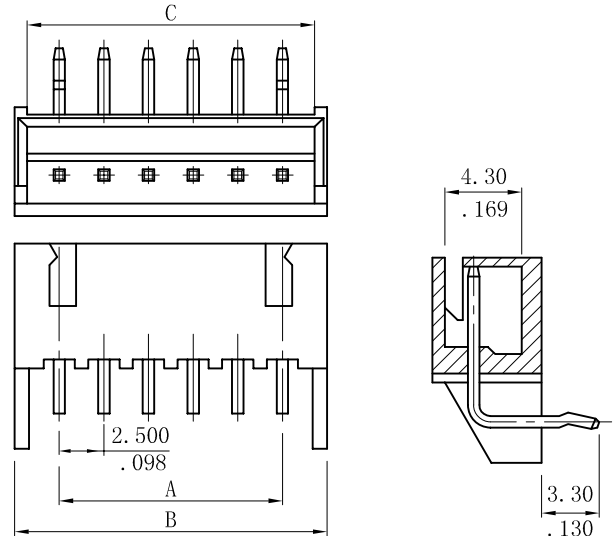
Unit: $\frac{\text{mm}}{\text{inch}}$

Straight (V version)



A=2.50mm(.098")*No. of spaces
 B=A+5.00mm(.197")
 C=A+3.60mm(.142")

Right Angle (H version)



RECOMMENDED HOLE PATTERN