

2022/2422 Series



Features

◆ 2022 Housing

Available in 2 through 15 circuits

Nylon 6/6 UL94V-0

Color: Natural

P.C.Board thickness 1.6mm(.063")

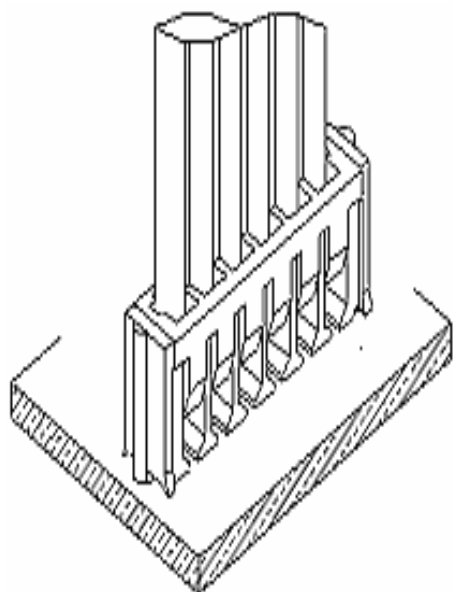
◆ 2422 Housing

Available in 2 through 11 circuits

Nylon 6/6 UL94V-0

Color: Natural

P.C. Board thickness 1.6mm(.063")



Specifications

◆ Current rating: 3A AC,DC

◆ Voltage rating: 250V AC,DC

◆ Temperature rating (2422): -25°C ~ +105°C

Temperature rating(2022):-25°C ~ +85°C

◆ Contact resistance:

Initial: 20mΩ max.

After environmental test: 40mΩ max.

◆ Insulation resistance:

Initial: 1,000MΩ min.

After humidity and thermal shock test: 500MΩ min.

◆ Withstanding voltage: 800V AC /minute.

◆ Applicable wire(2422): AWG 24 to 26

Applicable wire(2022):AWG 26 to 30

◆ Applicable PC board thickness: 1.6mm

Standards

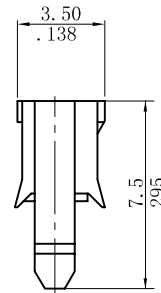
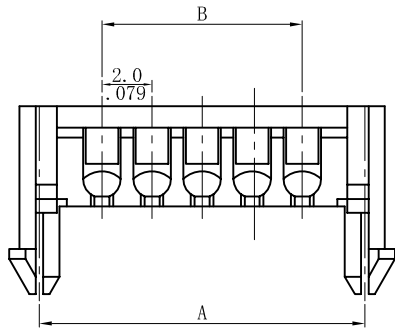
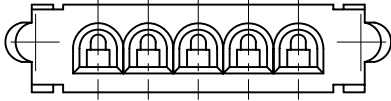
 Recognized No. E82349 (2422)

Ordering Information:

2022S ** 0000

I
1.No. of circuits: (02~15)

$B = 2.00\text{mm}(.079") \times \text{No. of spaces}$
 $A = B + 5.00\text{mm}(.197")$

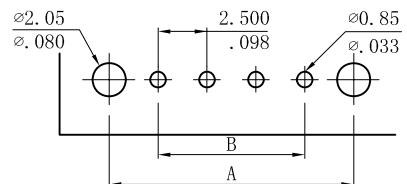
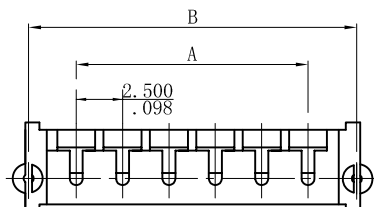
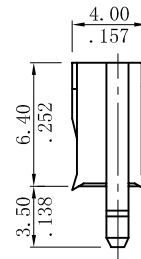
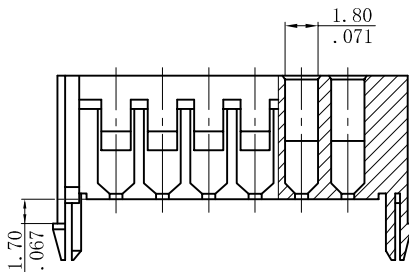


Ordering Information:

2422S ** 0000

I
1.No. of circuits: (02~11)

$A = 2.50\text{mm}(.098") \times \text{No. of spaces}$
 $B = A + 5.00\text{mm}(.197")$



Recommended Hole Pattern