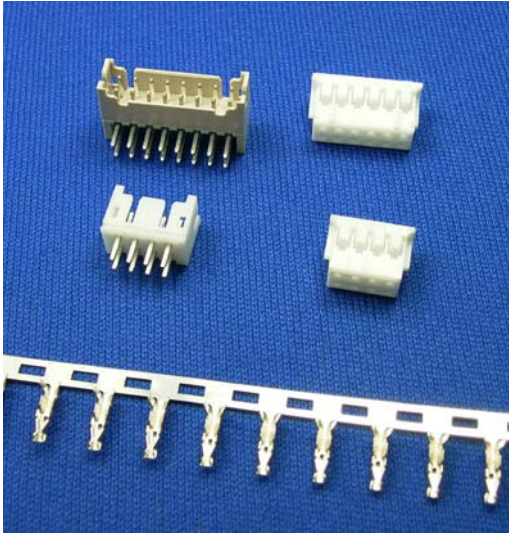
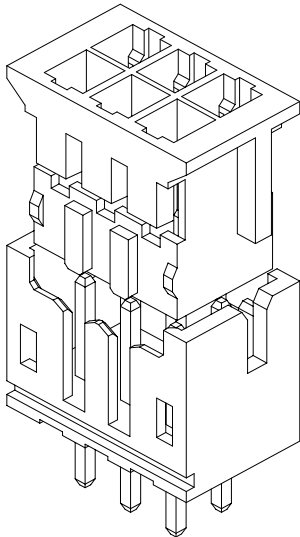


## 2020/2020T/2020 Series



### Features:

- ◆ **2020 series Housing:**
  - Available in 06 through 34 circuits
  - Polarized with locking ribs
  - Insulator: Nylon 66 UL94V-0
  - Accepts with Leoco 2020 series terminal
  - Mates with Leoco 2020 series header
- ◆ **2020 series Terminal**
  - Dual beam contacts
  - Accommodate wire range AWG 20 through 28
  - Use in Leoco 2020 series socket
  - Material: phosphor bronze
  - Plating: Tin
- ◆ **2020 series Header**
  - Available in 06 through 34 circuits
  - Polarization slots
  - Insulator: Nylon 66 UL94V-0
  - 0.50mm(.020" ) square pin
  - Mates with Leoco 2020 series socket
  - Applicable PC board thickness: 1.6mm



### Specifications:

- ◆ Current rating: 3A AC ,DC
- ◆ Voltage rating: 250V AC ,DC
- ◆ Temperature rating: -25°C ~ +85°C
- ◆ Contact resistance: 20mΩ max
- ◆ Insulation resistance: 100MΩ min
- ◆ Withstanding voltage: 800V AC/minute

Ordering Information:

2020S  $\frac{**}{1}$  000  $\frac{*}{2}$

1.No. of circuits:(06~34)

2.Housing color option

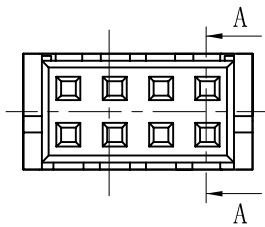
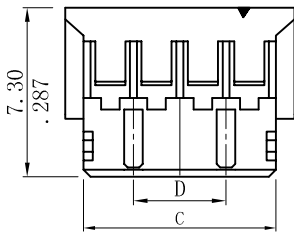
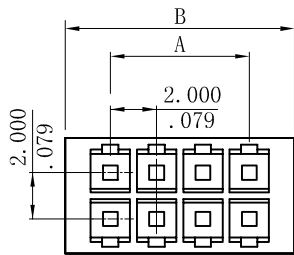
Ordering Information:

2020TPB0000

Wire Range: AWG 20~28

Reel Q`ty: 10,000pcs

Unit:  $\frac{\text{mm}}{\text{inch}}$

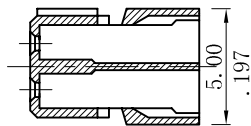


A=2.00mm(.079")\*No. of spaces

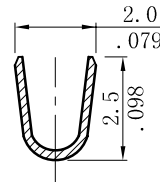
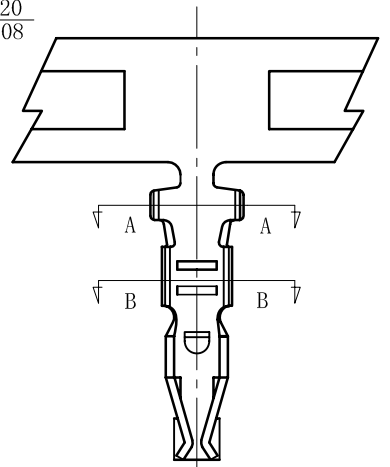
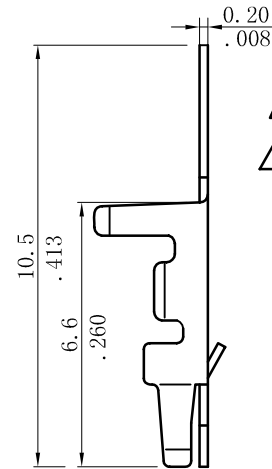
B=A+3.9mm(.154")

C=A+2.3mm(.091")

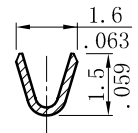
D=A-2.0mm(.079")



SECTION A-A



Section A-A



Section B-B

2020P  $\frac{**}{1}$   $\frac{*}{2}$  000

1.No. of Circuits

2.V : Straight Type

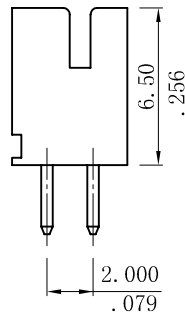
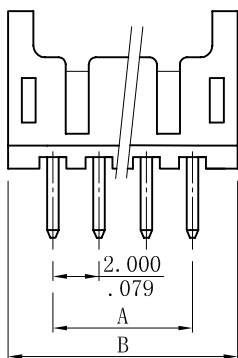
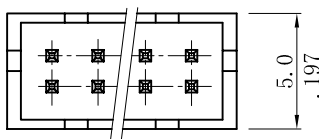
H : Right Angle Type

A=2.00mm(.079")\*No. of spaces

B=A+3.90mm(.154")

Unit:  $\frac{\text{mm}}{\text{inch}}$

Straight (V version)



Right Angle (H version)

