

1394 Series

Features

- ◆ Comply with IEEE 1394 standard
- ◆ Low cost, High performance

Ordering Information

1394 S ** * * * *

1 2 3 4 5 6 7

1. Series No.

2. S=Socket

P= Plug

3. 04= 4 pin 06= 6 pin 09= 9 pin

4. Type

D=dip (180) type

E=Solder (180) type

S=SMT type

R=Right Angle (90) type

B=Right Angle (90) side enter type

5. Contact plating:

K=30 u " Selective gold plated over 50 u " Nickel

U=Gold flash over 50 u " Nickel overall

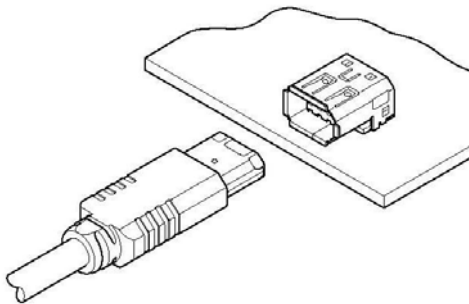
J=15 u " Selective gold plated over 50 u " Nickel

F=Selective gold flash over 50 u " Nickel

6. Color

0 = Beige(Ivory) 1 = Black 2 = White 3=grey

7.Special Option



Specifications

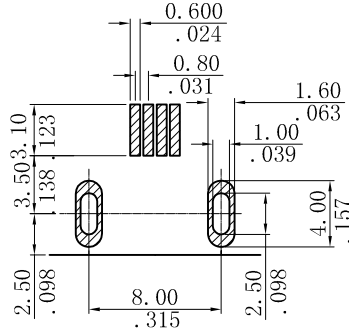
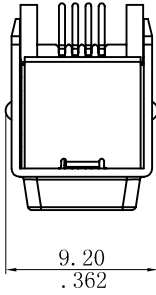
- ◆ Current rating: 1.5A
- ◆ Voltage rating: 30V AC (rms)
- ◆ Temperature rating: -40°C ~ +60°C
- ◆ Operating Temperature rating: 0°C ~40°C
- ◆ Contact resistance: 30mΩ max.
- ◆ Insulation resistance: 1,000MΩ min.
- ◆ Withstanding voltage: 500V AC /minute

Standards

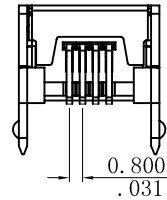
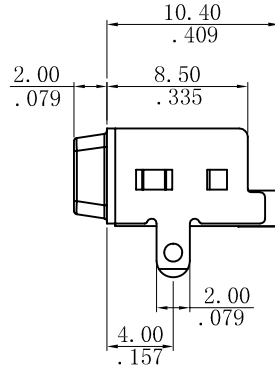
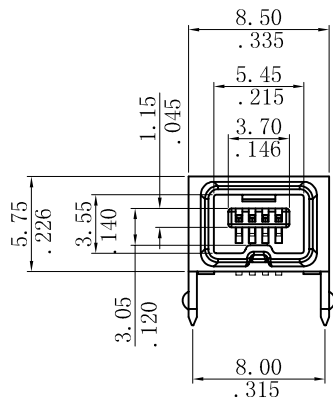
 Recognized No. E82349

1394S04S**0

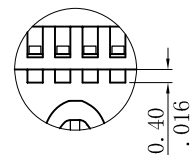
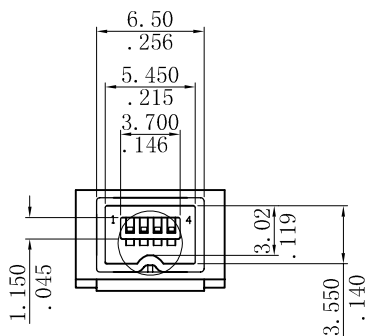
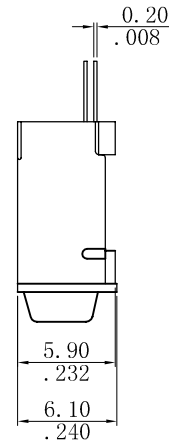
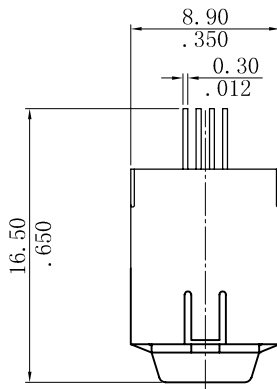
Unit: $\frac{\text{mm}}{\text{inch}}$



RECOMMENDED PCB PATTERN

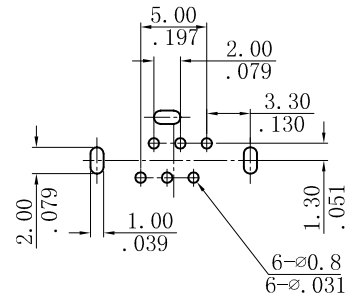
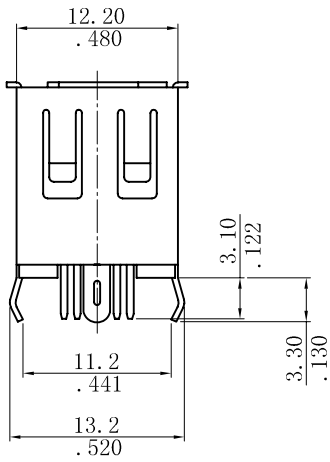
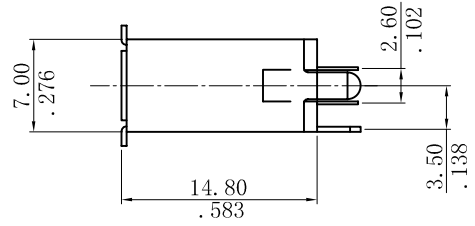
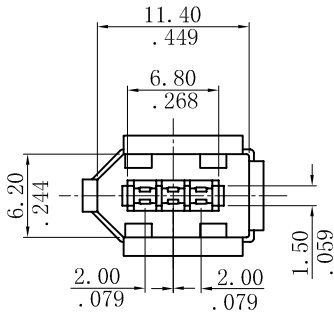


1394S04E**0



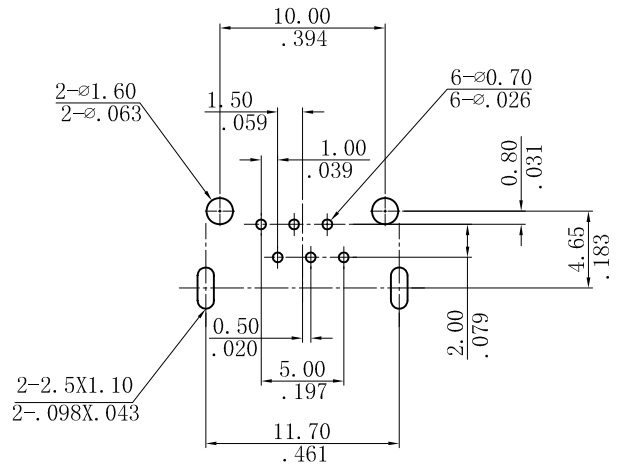
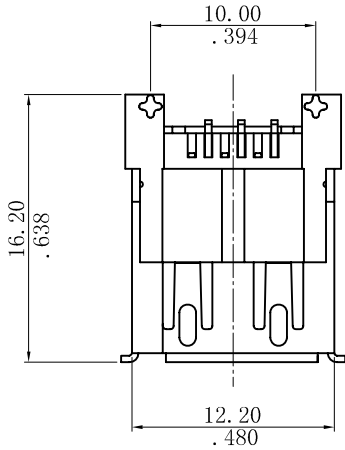
1394S06D**0

Unit: $\frac{\text{mm}}{\text{inch}}$



RECOMMENDED HOLE PATTERN

1394S06R**0



RECOMMENDED HOLE PATTERN

