

1258/1258T/1258 Series

Features

◆ 1258 Housing

Available in 2 through 30 circuits

Material: Nylon 6/6 UL94V-0

Accepts Leoco 1258 crimp terminal

Mate with Leoco 1258 header

◆ 1258 Terminal:

Material: Phosphor Bronze

Accommodate wire range AWG 28 through 32

Use in Leoco 1258 series socket

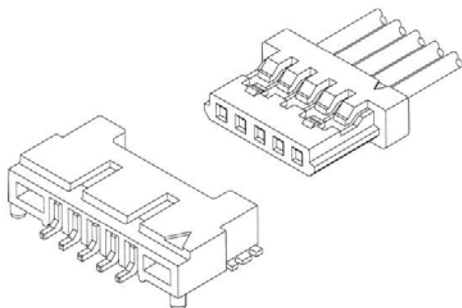
◆ 1258 Header

Available in 2 through 30 circuits

Material: Wafer : Nylon 6T, UL94V-0

Pin : Brass

Mates with Leoco 1258 series socket



Specifications

◆ Current rating: 1A AC,DC

◆ Voltage rating: 100V AC,DC

◆ Temperature rating: -25°C ~ +85°C

◆ Contact resistance: 20mΩ max.

◆ Insulation resistance: 500MΩ min.

◆ Withstanding voltage: 500V AC /minute

◆ Applicable wire: AWG 28 to 32

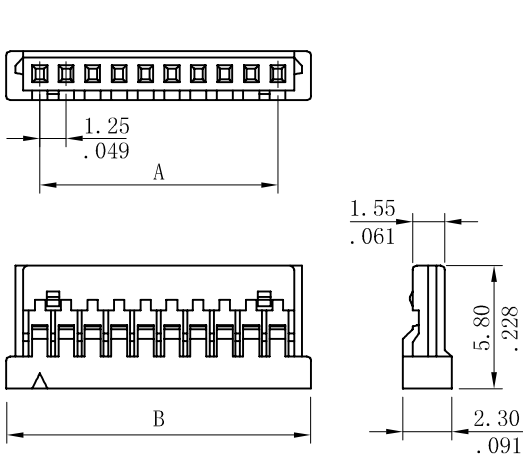
Ordering Information:

1258S $\frac{**}{1}$ 0000
 1. No. of Circuits

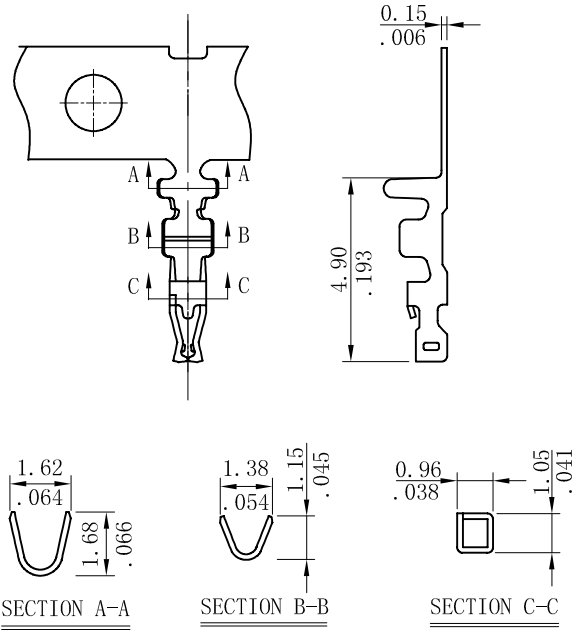
Ordering Information:

1258TPB0000
 Plating : Tin plated
 Wire Range:AWG 28~32
 Reel Q' ty:10,000pcs

Unit: $\frac{\text{mm}}{\text{inch}}$



A=1.25mm(.049")*No. of spaces
 B=A+3.2mm(.126")

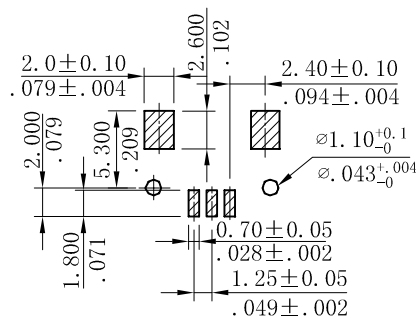
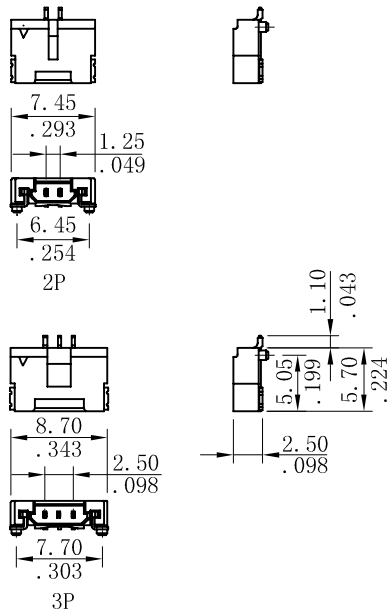


Unit: $\frac{\text{mm}}{\text{inch}}$

Ordering Information:

1258P $\frac{**}{1}$ $\frac{M}{2}$ $\frac{*}{3}$ 00
 1. No. of Circuits
 2. M:SMT Type
 3. H:Right Angle Type
 P:Have Pillar Right Angle Type

A=1.25mm(.049")*No. of spaces
 B=A+6.2mm(.244")
 C=A+5.2mm(.205")



Recommended PCB Pattern

