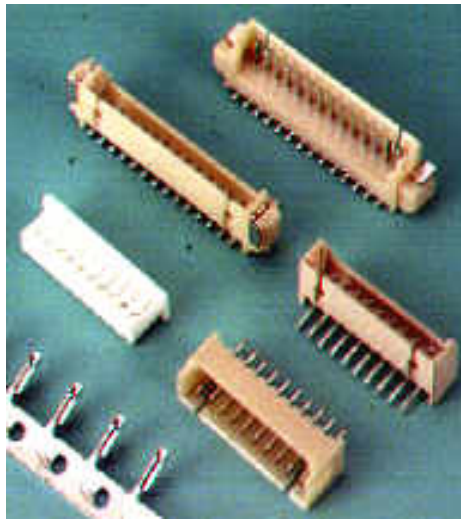


## 1254 Series



### Features

#### ◆ 1254 Housing:

Available in 2 through 15 circuits

PBT UL94V-0

Accepts Leoco 1254 crimp terminal

Mates with Leoco 1254 header

#### ◆ 1254 Terminal:

Accommodate wire range AWG 28~32

Use in Leoco 1254 series socket

Mates with 0.30mm(.011") pin

Material: Phosphor bronze

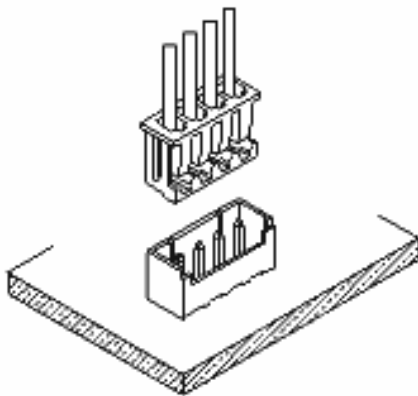
#### ◆ 1254 Header:

Available in 2 through 15 circuits

Nylon-6T UL94V-0

0.30mm(.011") pin

Mates with Leoco 1254 socket



### Specifications

◆ Current rating: 1Amp.

◆ Voltage rating: AC 150 Volts.

◆ Temperature rating: -40°C to +105°C

◆ Mating pin size: 0.30mm±0.025mm

◆ Contact Resistance: 20mΩ Max.

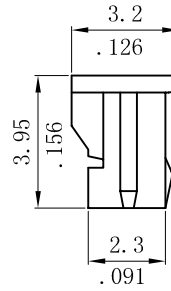
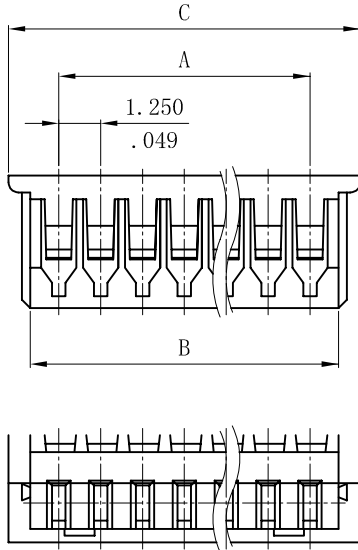
◆ Insulation Resistance: 1,000MΩ Min.

◆ Dielectric Withstanding Voltage: AC 500V/minute

Ordering Information:

1254S \*\* 0000  
I

1. No. of Circuits



A=1.25mm(.049")\*No. of spaces

B=1.25mm(.049")\*circuits+0.45mm(.018")

C=1.25mm(.049")\*circuits+1.75mm(.069")

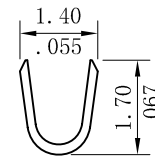
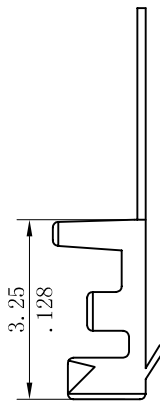
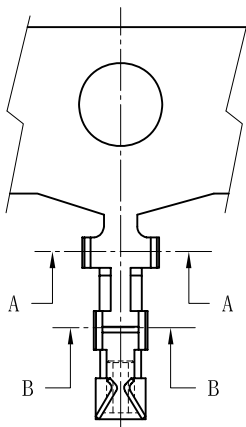
Ordering Information:

1254TPB0000

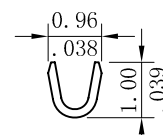
Material: Phosphor Bronze

Wire Range: AWG 28 ~ 32

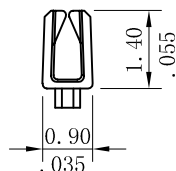
Reel Q`ty: 15,000pcs



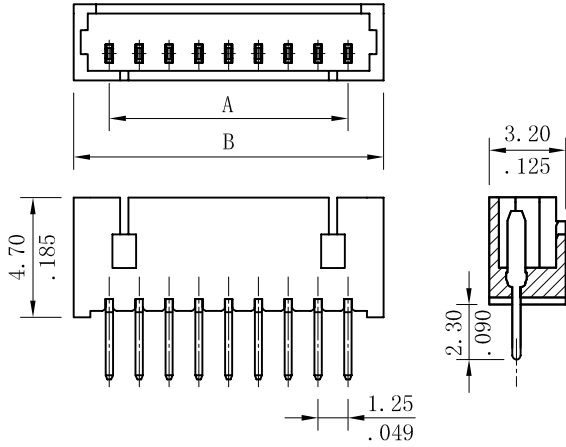
Section A-A



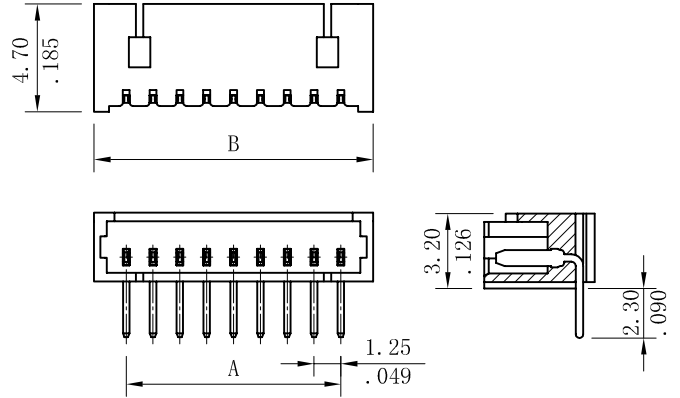
Section B-B



Straight (V version)



Right Angle (H version)

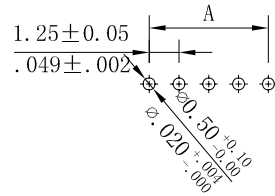


Unit:  $\frac{\text{mm}}{\text{inch}}$

Ordering Information:

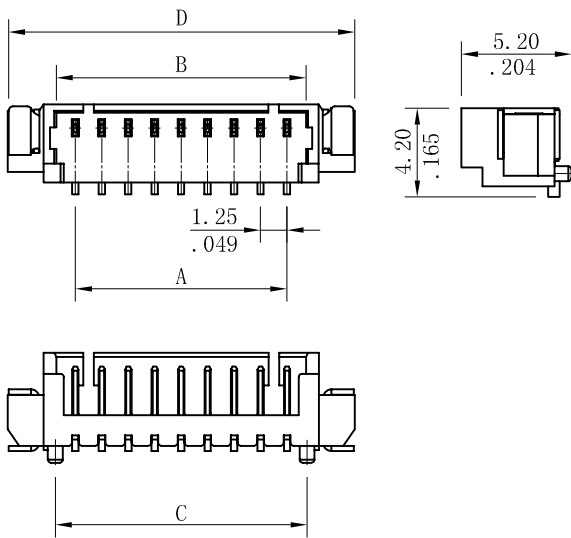
1254P \*\* V 0 \*\*  
1 2 3

- 1.No. of circuits
- 2.V=Straight Type  
H=Right Angle Type
3. Material/Color  
00=Natural (Nylon 6/6 UL94V-0)  
13=Natural (PA46)

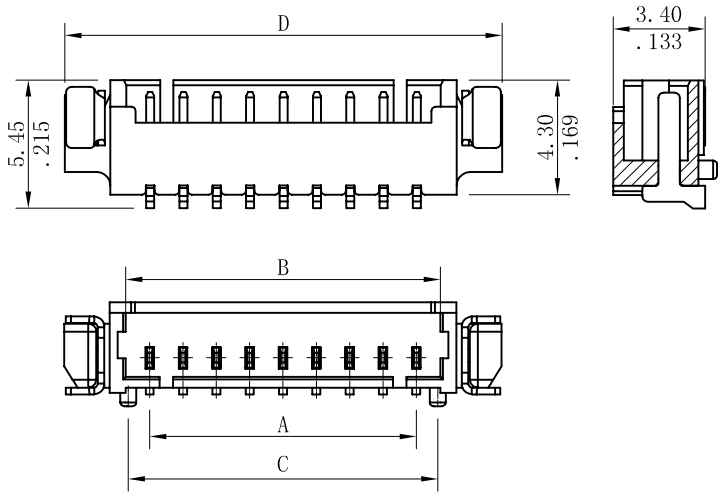


RECOMMENDED HOLE PATTERN

SMT Type (V version)



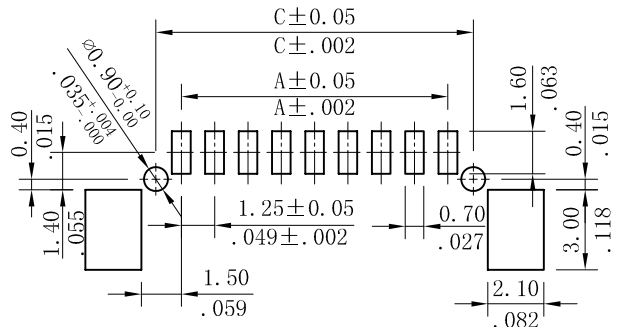
SMT Type (H version)



Ordering Information:

1254P \*\* M \* \* \* \*  
1 2 3 4 5 6

1. Series No
2. NO. OF CIRCUITS
3. M=SMT Type
4. V=Straight Type  
J=Have Pillar Straight Type  
H=Right Angle Type  
P=Have Pillar Right Angle Type
5. Plating  
0=Tin plated 120u" over 30~50u" nickel overall  
F=Selective gold flash over 30~50u" nickel overall
6. Packing  
0=Tape&Reel  
1=Tube



RECOMMENDED HOLE PATTERN

- A=1.25mm(.049")\*No. of spaces
- B=A+1.80mm(.071")
- C=A+3.0mm(.118")
- D=A+6.4mm(.252")