

1000/1000T/1000 Series

Features

◆ 1000 Housing

Available in 8,14,20 and 30 circuits

Material: Nylon 6/6 UL94V-0

Accepts Leoco 1000 crimp terminal

Mate with Leoco 1000 header

◆ 1000 Terminal:

Material: Phosphor Bronze

Accommodate wire range AWG 28 through 32

Use in Leoco 1000 series socket

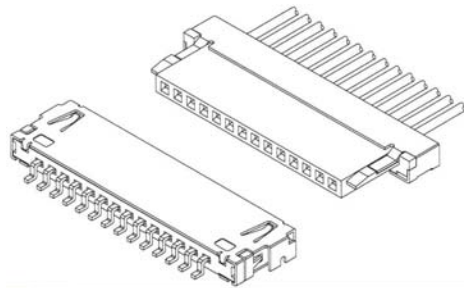
◆ 1000 Header

Available in 8,14,20 and 30 circuits

Material: Wafer : Nylon 9T, UL94V-0

Pin & Shell : Phosphor Bronze

Mates with Leoco 1000 series socket



Specifications

◆ Current rating: 1A AC,DC

◆ Voltage rating: 50V AC,DC

◆ Temperature rating: -25°C ~ +85°C

◆ Contact resistance: 20mΩ max.

◆ Insulation resistance: 500MΩ min.

◆ Withstanding voltage: 500V AC /minute

◆ Applicable wire: AWG 28 to 32

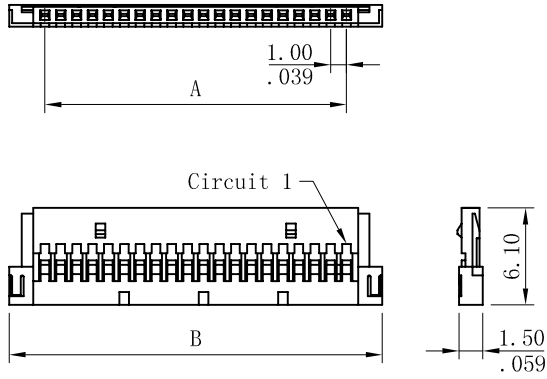
Ordering Information:

1000S $\frac{**}{1}$ 0000
 1.No. of Circuits

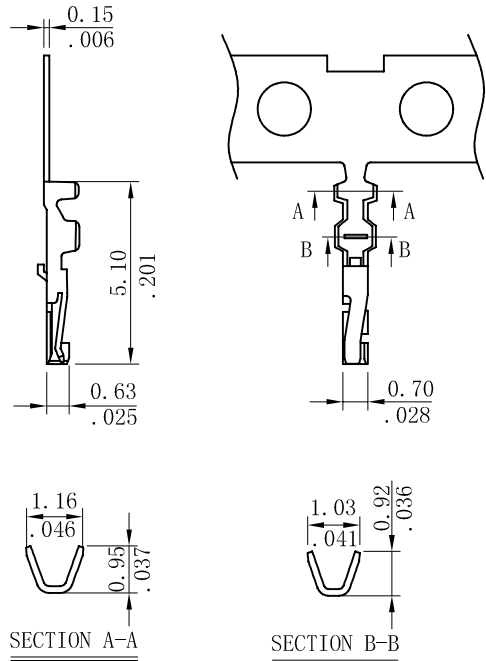
Ordering Information:

1010TPBU000
 Plating : Glod flash
 Wire Range:AWG 28~32
 Reel Q' ty:15,000pcs

Unit: $\frac{\text{mm}}{\text{inch}}$



A=1.0mm(.039")*No. of spaces
 B=A+4.5mm(.177")



Unit: $\frac{\text{mm}}{\text{inch}}$

Ordering Information:

1000P $\frac{**}{1}$ $\frac{M}{2}$ $\frac{H}{3}$ 00
 1.No. of Circuits
 2.M:SMT Type
 3.H:Right Angle Type

A=1.0mm(.039")*No. of spaces
 B=A+4.55mm(.179")
 C=A+4.95mm(.195")

